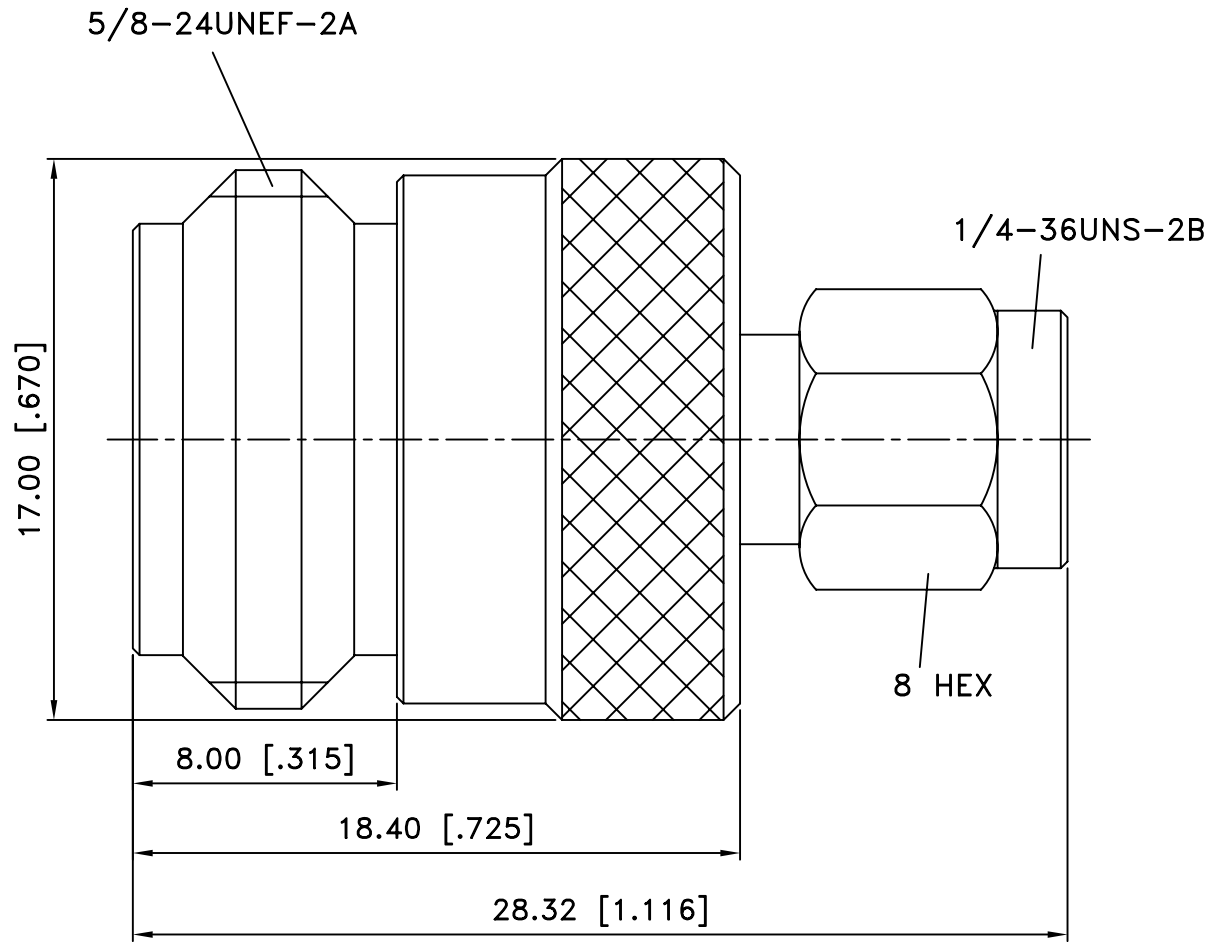


EDITION	DESCRIPTION	DRAWN	DATE
	INITIAL RELEASE		01/08/97
	UPDATE DRAWING FORMAT		06/10/07



ChoiceRight Electronic Inc

TOLERANCES

DIMENSIONS ARE IN MILLIMETER

UNLESS OTHERWISE SPECIFIED ARE IN MILLIMETERS
DIMENSIONS IN [] ARE IN INCH AND FOR CUSTOMER
REFERENCE ONLY.

UNLESS OTHERWISE SPECIFIED TOLERANCES FOR
MILLIMETER ARE:

- 0.5 - 8mm ± 0.20mm
- 8 - 30mm ± 0.40mm
- 30 - 120mm ± 0.50mm

UNLESS OTHERWISE SPECIFIED TOLERANCES FOR
INCHS ARE:

- .020 - .315 = ± 0.007"
- .315 - 1.180 = ± 0.015"
- 1.180 - 4.724 = ± 0.020"

TITLE SMA MALE TO N FEMALE ADAPTOR	CHECKED J. Lin
Edit Code. SMAMSNFADP5000-1	DRAWER Eddie
FILE NO.D:\	EDITION: B DATE 06/10/07

SCALE	NA	UNIT	MM
-------	----	------	----

NO	Description	Q'ty	Material	Finish
3	CONTACT PIN	1	PHOS.BRONZE	GOLD
2	INSULATOR	1	TEFLON	NATURAL
1	BODY	1	BRASS	NICKEL