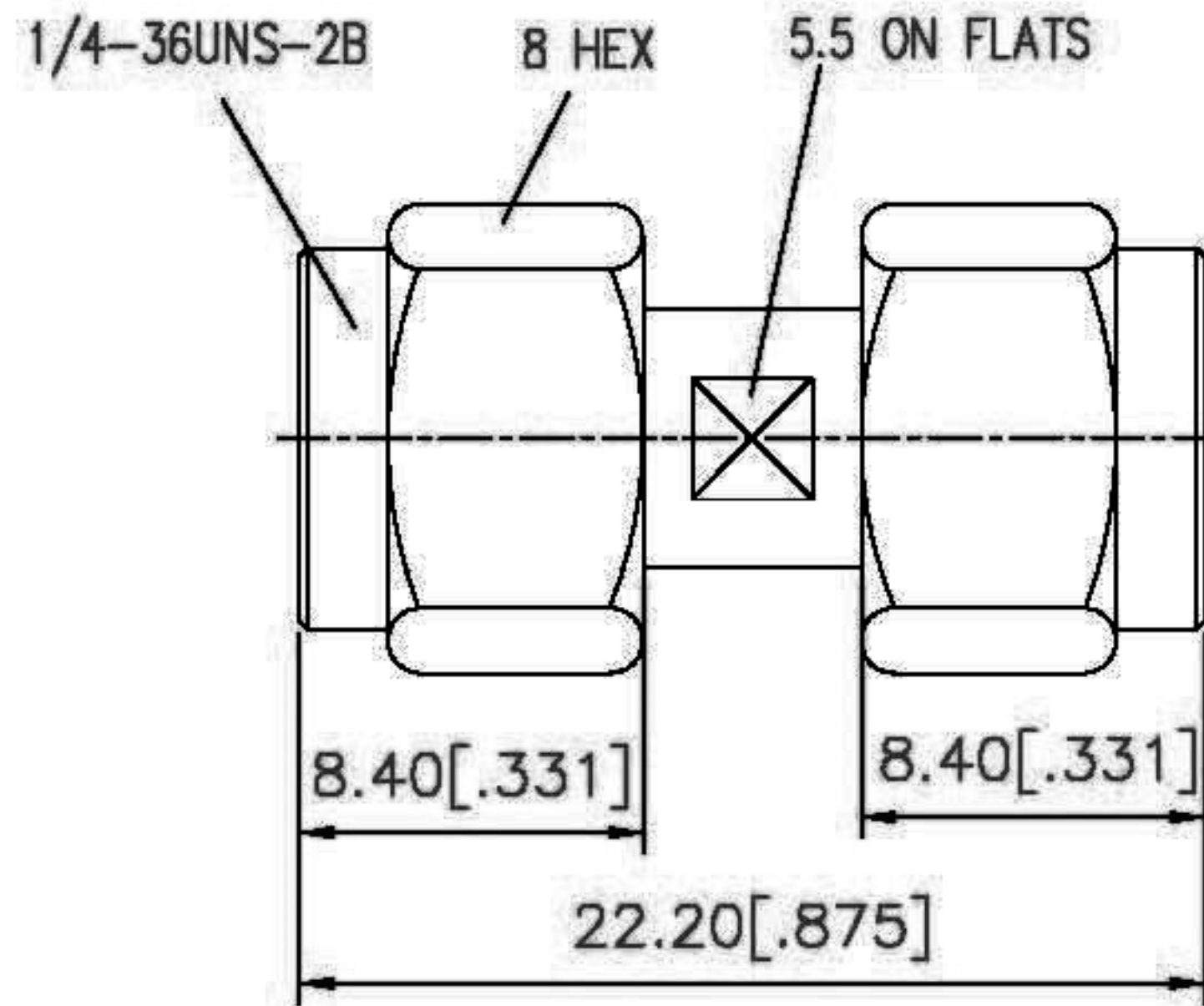


EDITION	DESCRIPTION	DRAWN	DATE
	INITIAL RELEASE		11/26/03



ChoiceRight Electronic Inc

TOLERANCES

DIMENSIONS ARE IN MILLIMETER

UNLESS OTHERWISE SPECIFIED
 TOLERANCES FOR INCHES ARE
 0.5-8mm±0.2mm
 8-30mm±0.1mm
 30-120mm±0.05mm
 UNLESS OTHERWISE SPECIFIED
 TOLERANCES FOR INCHES ARE
 .020-.315=±0.007"
 .315-1.180=±0.015"
 1.180-4.724=±0.020"

TITLE SMA PLUG ADAPTER

CHECKED J. Lin

EdIt Code: SMAMSSMAMADP5000-1

DRAWER Eddie

FILE NO. C:

EDITION: A DATE 11/26/03

SCALE NA UNIT MM

NO	Description	Qty	Material	Finish
3	CONTACT PIN	1	BER-COPPER	GOLD
2	INSULATOR	1	TEFLON	NATURAL
1	Body	1	BRASS	Nickel