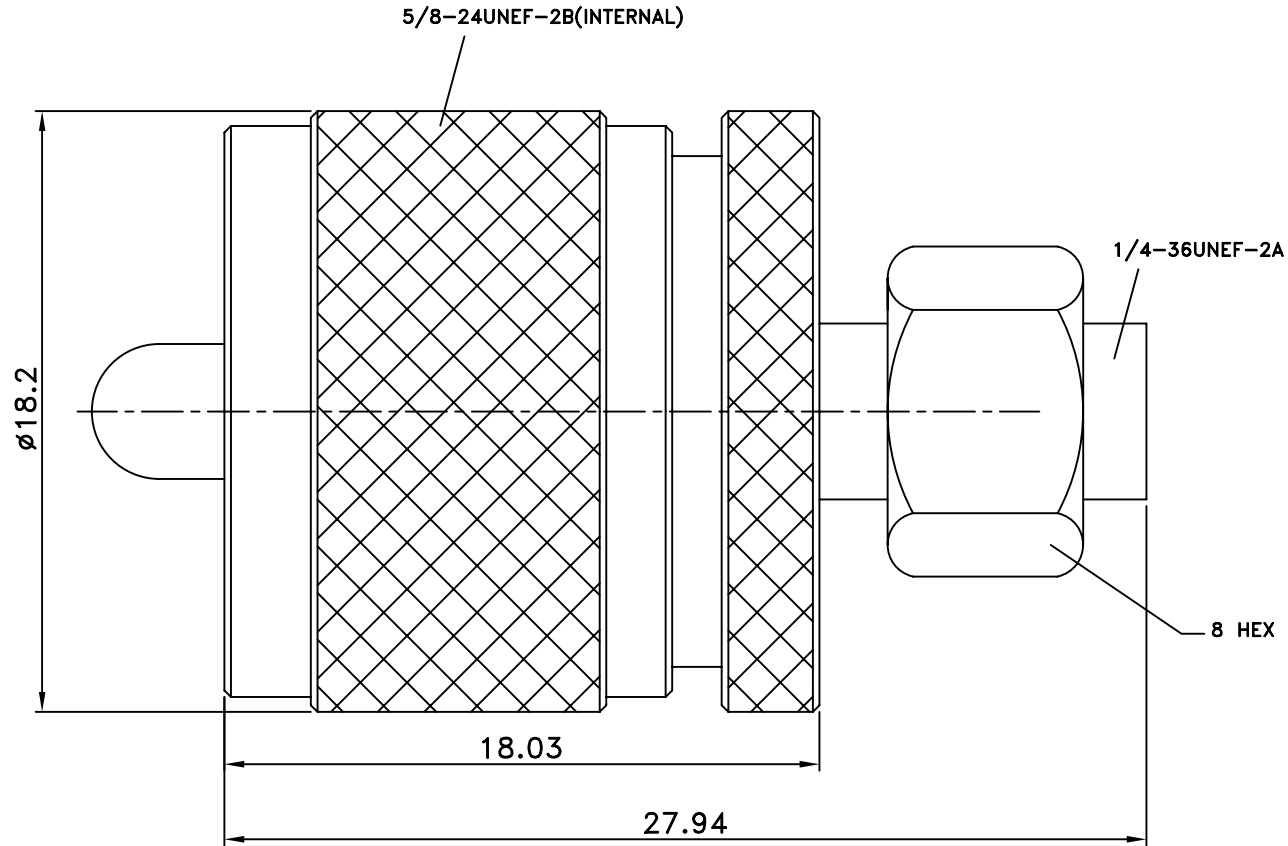


EDITION	DESCRIPTION	DRAWN	DATE
	INITIAL RELEASE		01/08/97



ChoiceRight Electronic Inc

TOLERANCES

DIMENSIONS ARE IN MILLIMETER

UNLESS OTHERWISE SPECIFIED TOLERANCES FOR MILLIMETER ARE:

- 0.5 - 6 = ± 0.2
- 6 - 30 = ± 0.4
- 30 - 120 = ± 0.6
- 120 - 315 = ± 1
- 315 - 1000 = ± 1.6
- 1000 - 2000 = ± 2.4

TITLE SMA MALE TO UHF MALE ADAPTOR	CHECKED J. Lin
Edit Code. SMAMSUHF MADP5000-1	DRAWER Eddie
FILE NO.D:\	EDITION: B DATE 01/08/97

SCALE	NA	UNIT	MM
-------	----	------	----

NO	Description	Q'ty	Material	Finish
3	CONTACT PIN	1	BRASS	GOLD
2	INSULATOR	1	TEFLON	NATURAL
1	BODY	1	BRASS	NICKEL