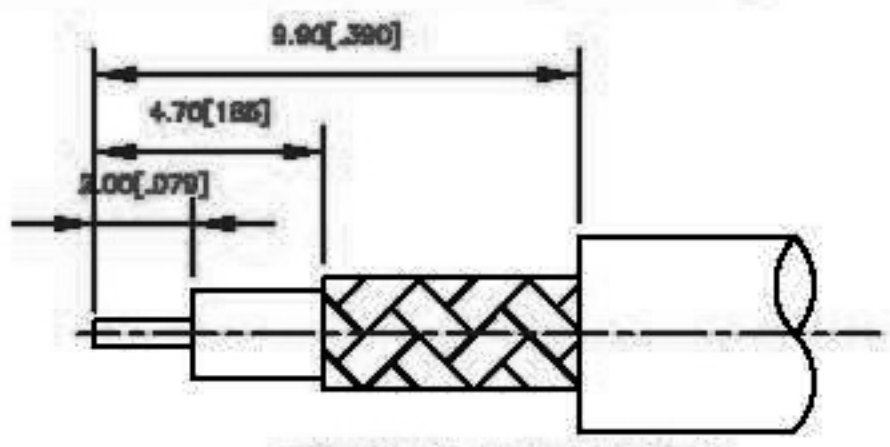
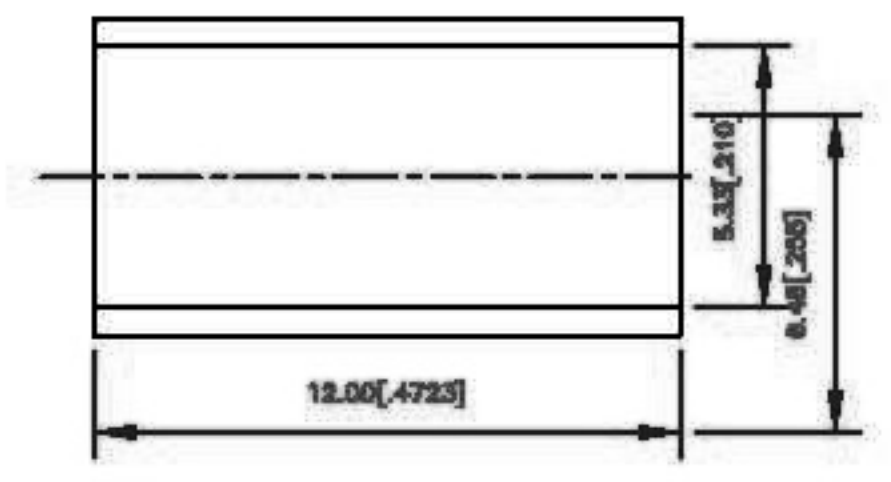
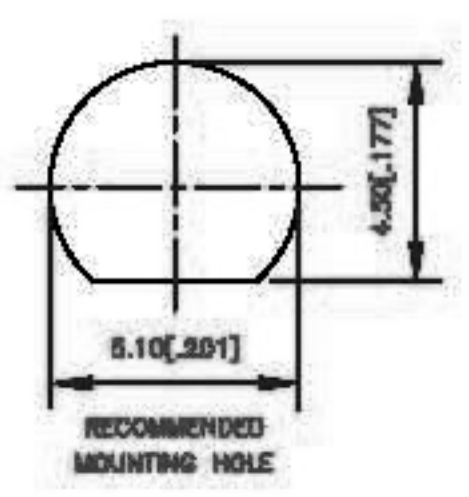
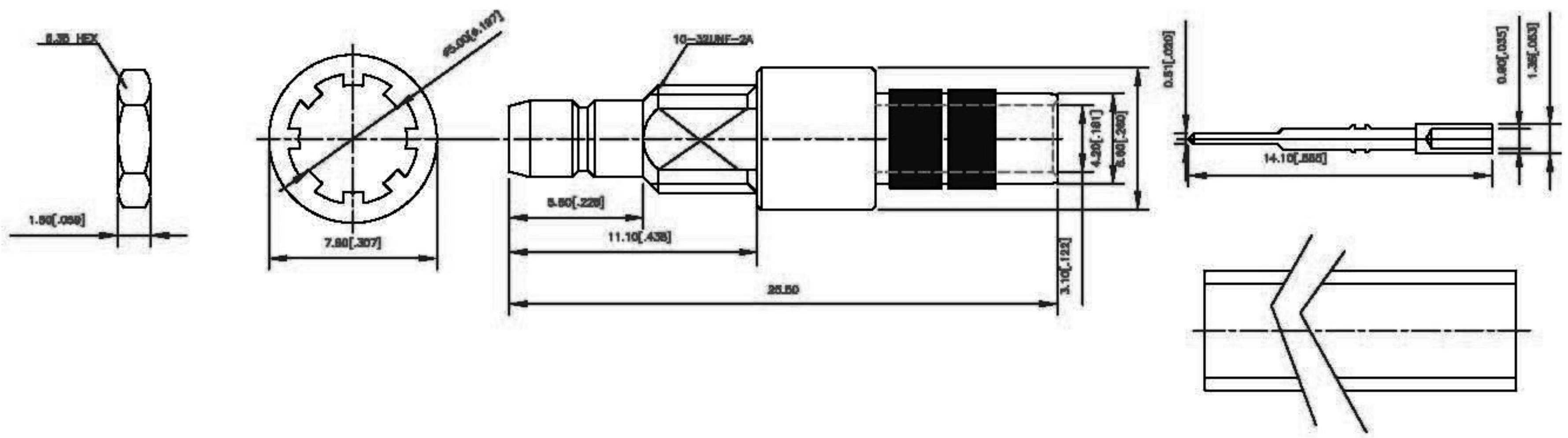


EDITION	DESCRIPTION	DRAWN	DATE



RECOMMENDED  
CABLE STRIPPING DIM'S



TITLE SMB BULKHEAD CRIMP JACK  
(FOR RG-58/U, 58B/U CABLE)  
Edit Code: SMBFBS00103F5000-1

CHECKED J. Lin  
DRAWER Eddie

TOLERANCES  
DIMENSIONS ARE IN MILLIMETER  
UNLESS OTHERWISE SPECIFIED  
TOLERANCES FOR INCHES ARE  
0.5-8mm±0.2mm  
8-30mm±0.1mm  
30-120mm±0.05mm  
UNLESS OTHERWISE SPECIFIED  
TOLERANCES FOR INCHES ARE  
.020-.315=±0.007"  
.315-1.180=±0.015"  
1.180-4.724=0.020"

FILE NO. C: EDITION: A DATE 04/03/05 SCALE 1:1 UNIT MM

7	HEAT SHINK TUBE			
6	HEX NUT	1	BASS	GOLD
5	LOCK WASHER	1	BRASS	GOLD
4	FERRULE	1	DOPPER	GOLD
3	CONTACT PIN	1	BRASS	GOLD
2	INSULATOR	1	TEFLON	NATURAL
1	BODY	1	BRASS	GOLD
NO	Description	Qty	Material	Finish