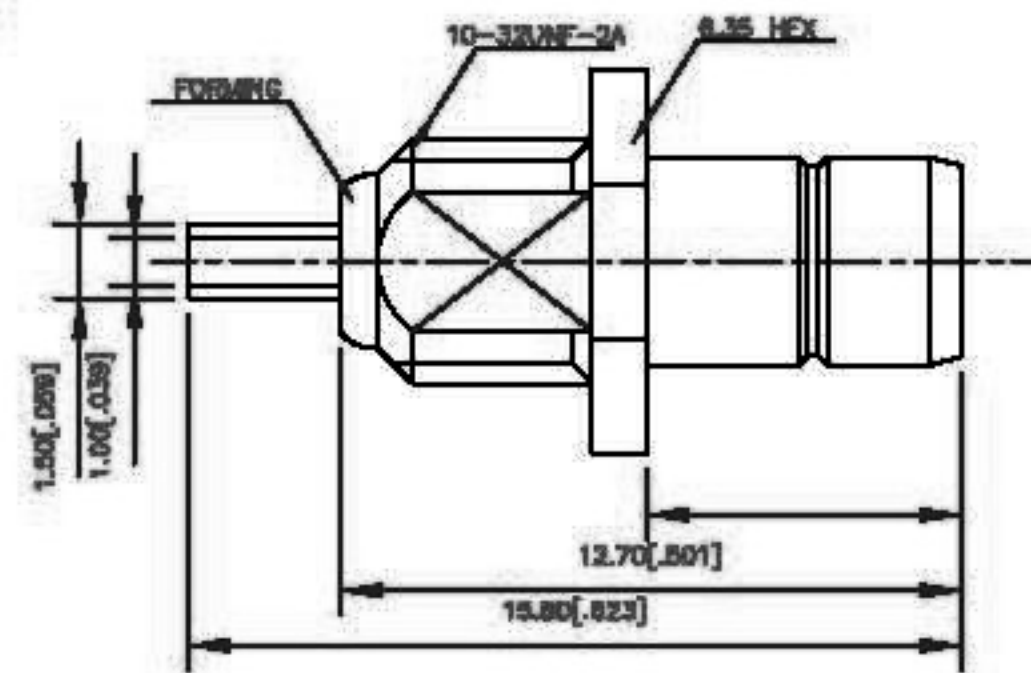
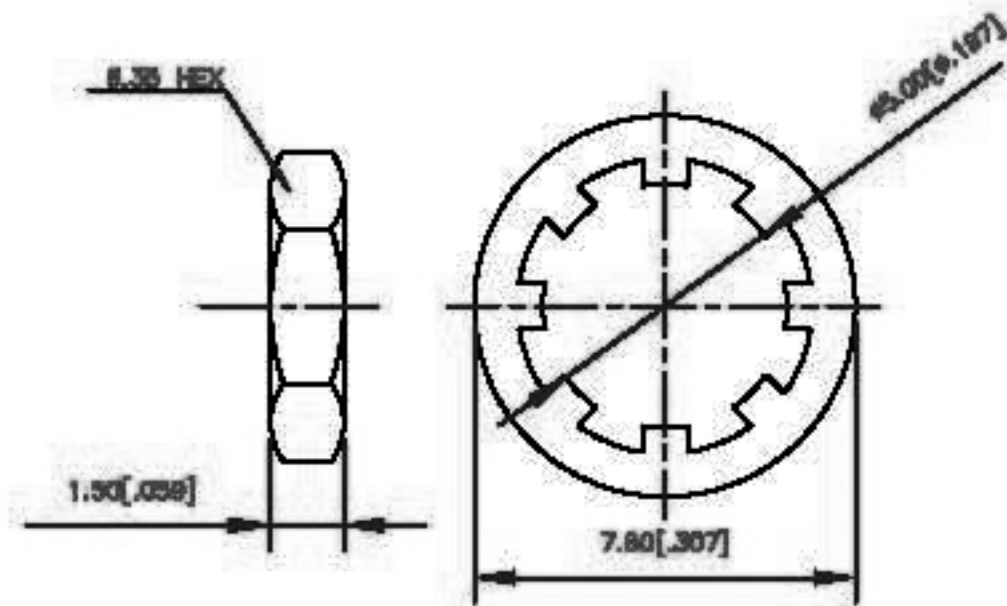
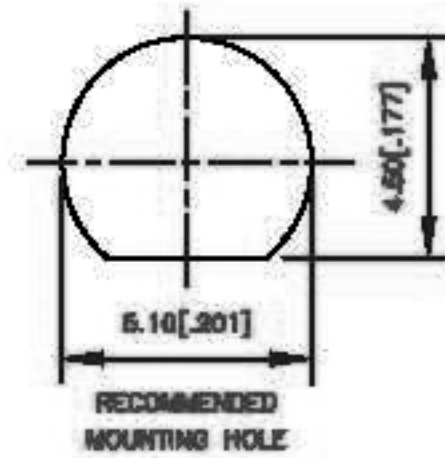


EDITION	DESCRIPTION	DRAWN	DATE
	INITIAL RELEASE		01/30/04



TITLE  
SMB BULKHEAD RECEPT. JACK

Edit Code.  
SMBFBS020015000-1

CHECKED  
J. Lin

DRAWER  
Eddie

TOLERANCES

DIMENSIONS ARE IN MILLIMETER

UNLESS OTHERWISE SPECIFIED  
TOLERANCES FOR INCHES ARE  
0.5-8mm±0.2mm  
8-30mm±0.1mm  
30-120mm±0.05mm  
UNLESS OTHERWISE SPECIFIED  
TOLERANCES FOR INCHES ARE  
.020-.315=±0.007"  
.315-1.180=±0.015"  
1.180-4.724=0.020"

FILE NO. C: EDITION: A DATE 01/30/04

SCALE 1:1 UNIT MM

NO	Description	Qty	Material	Finish
5	HEX NUT	1	BRASS	GOLD
4	LOCK WASHER	1	BRASS	GOLD
3	CONTACT PIN	1	BRASS	GOLD
2	INSULATOR	1	TEFLON	NATURAL
1	BODY	1	BRASS	GOLD