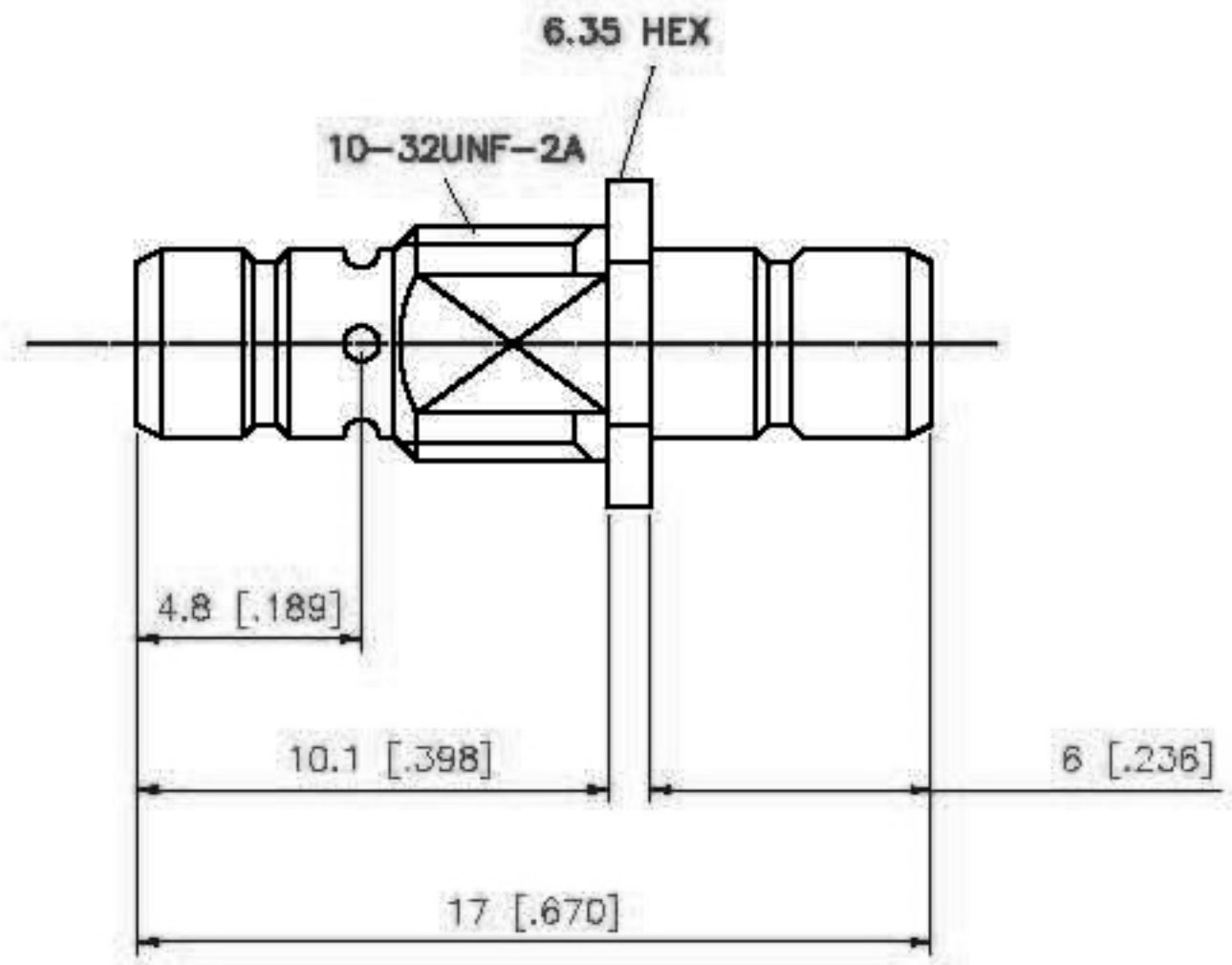
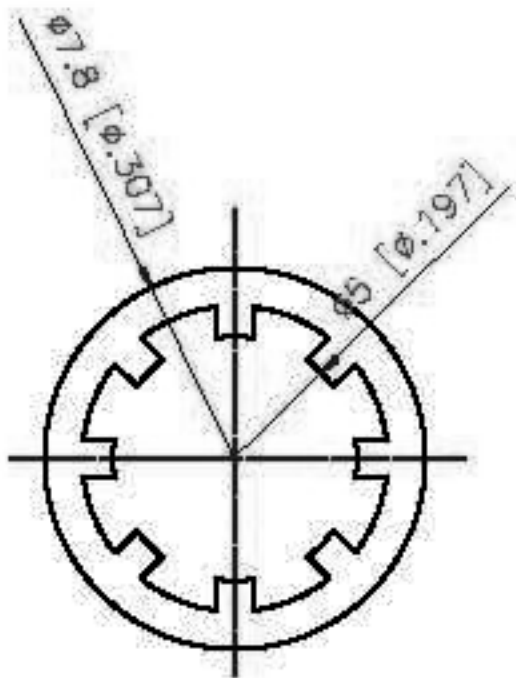
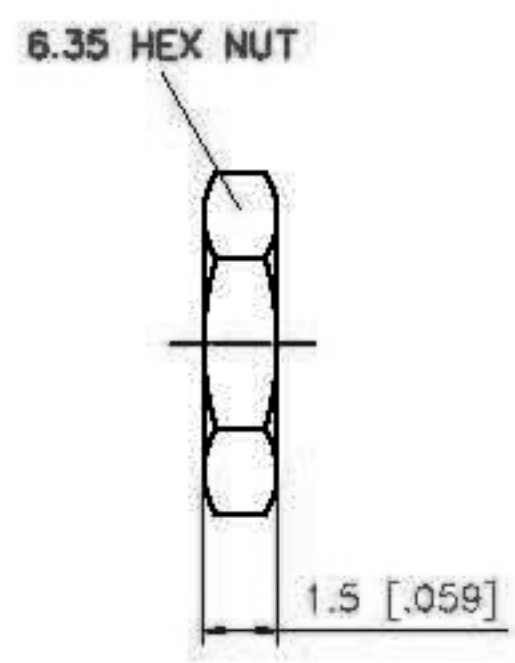
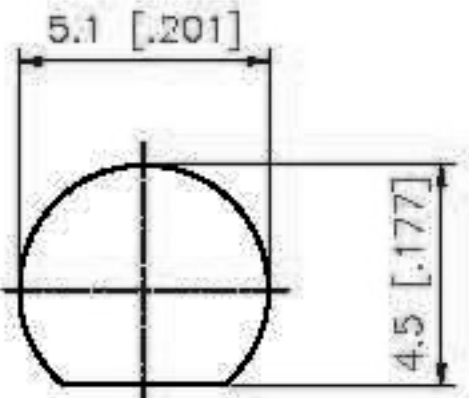


EDITION	DESCRIPTION	DRAWN	DATE
	INITIAL RELEASE		08/02/99



TOLERANCES	
DIMENSIONS ARE IN MILLIMETER	
UNLESS OTHERWISE SPECIFIED TOLERANCES FOR MILLIMETERS ARE	
0.5-8	±0.2
8-30	±0.4
30-120	±0.6
120-315	±1
315-1000	±1.8
1000-2000	±2.4

TITLE	SMB BULKHEAD JACK TO JACK ADAPTER
Edt Code.	SMBFBSSMBFADP5000-1
FILE NO. C:	

CHECKED	J. Lin
DRAWER	Eddie
EDITION:	A
DATE	08/02/99

SCALE	1:2	UNIT	MM
-------	-----	------	----

NO	Description	Qty	Material	Finish
3	CONTACT PIN	1	PHOS BRONZE	GOLD
2	INSULATOR	1	TEFLON	NATURAL
1	Body	1	Brass	Nickel