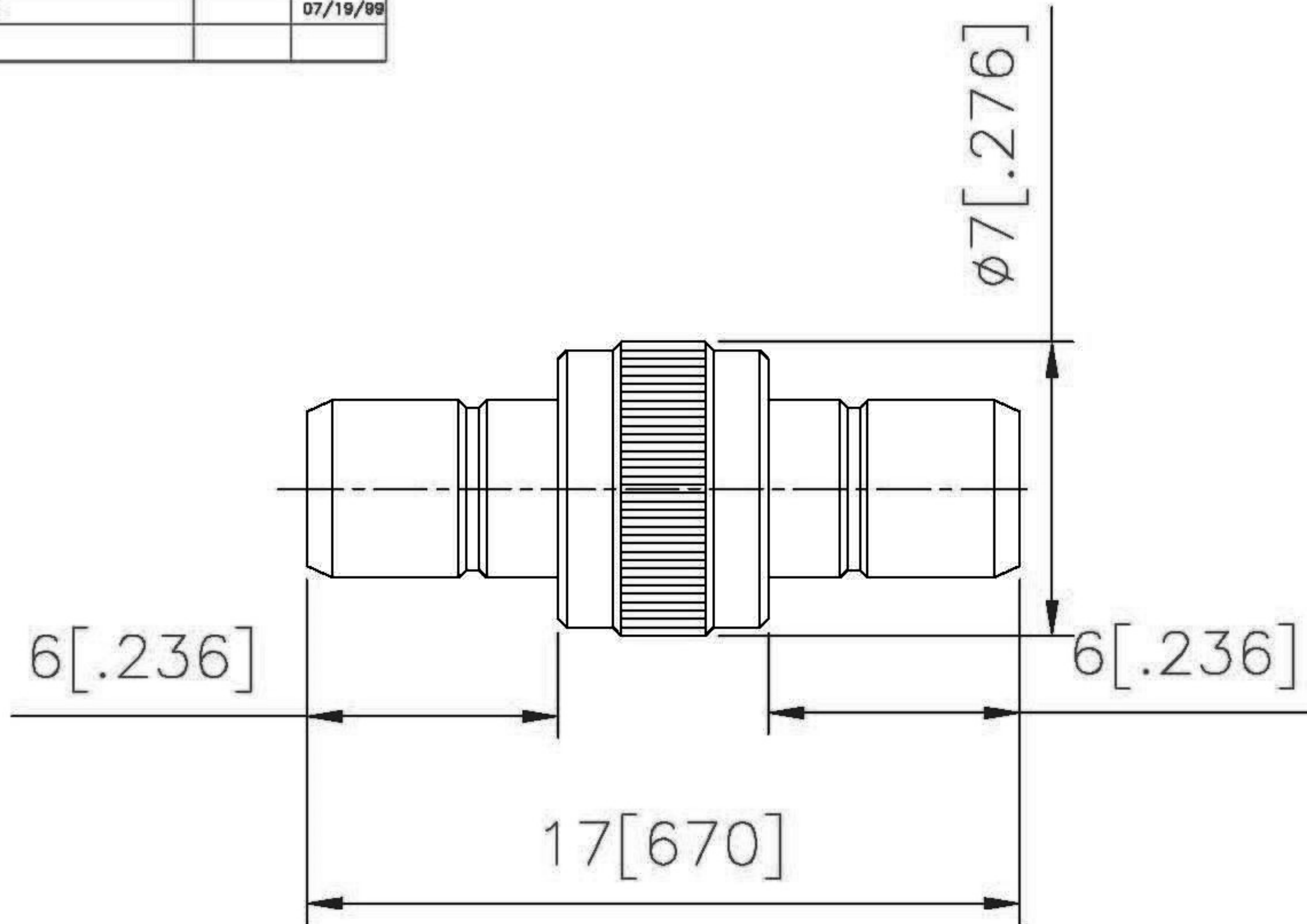


EDITION	DESCRIPTION	DRAWN	DATE
	INITIAL RELEASE		07/19/99



TITLE SMB JACK TO JACK ADAPTOR

Edit Code. SMBFSSMBFADP5000-1

FILE NO. C:

CHECKED J. Lin

DRAWER Eddie

EDITION: A DATE 07/19/99

TOLERANCES					
DIMENSIONS ARE IN MILLIMETER					
UNLESS OTHERWISE SPECIFIED TOLERANCES FOR INCHES ARE					
0.5-6=±0.2					
6-30=±0.4					
30-120=±0.6					
120-315=±1					
315-1000=±1.6					
1000-2000=±2.4					

SCALE NA UNIT MM

NO	Description	Qty	Material	Finish
4	Body	1	BRASS	GOLD
3	CONTACT PIN	1	BRASS	GOLD
2	INSULATOR	1	TELON	NATURAL
1	HOUSING	1	BRASS	GOLD