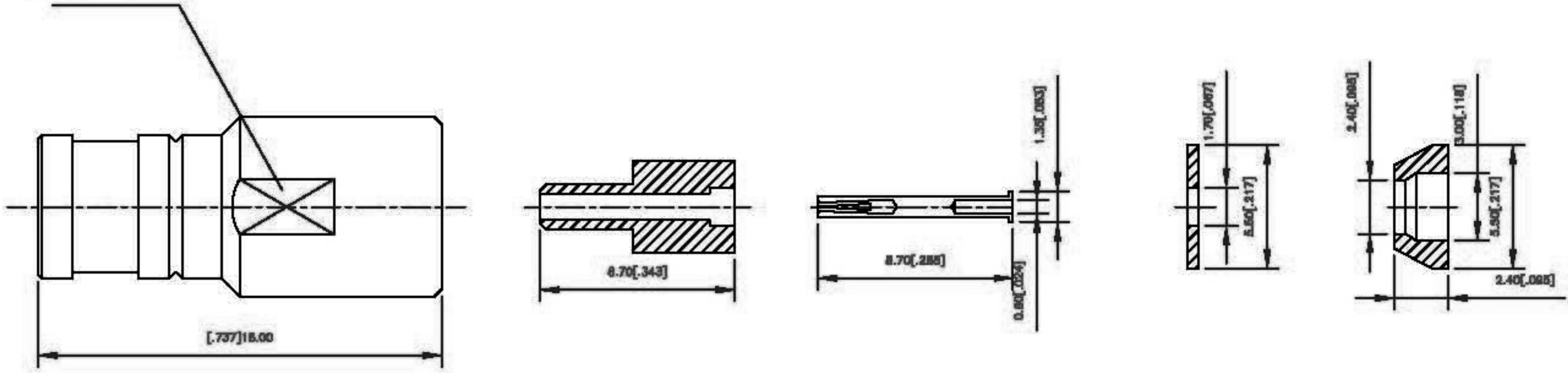
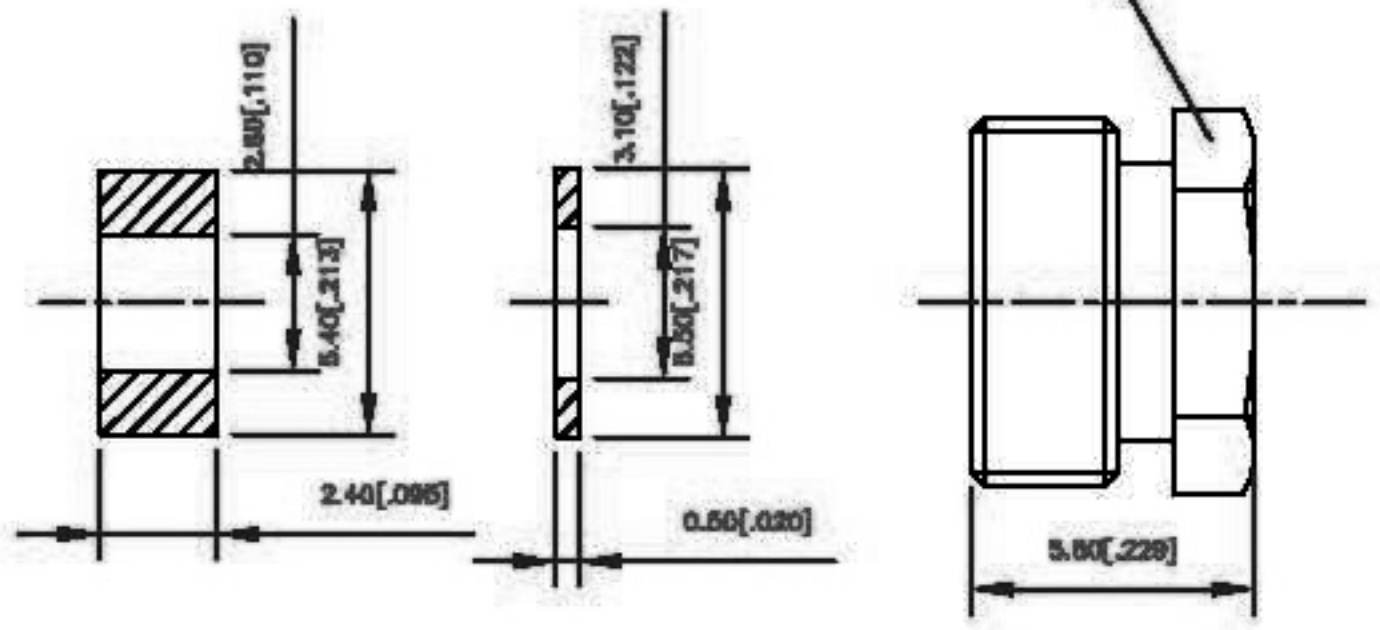


EDITION	DESCRIPTION	DRAWN	DATE
	INITIAL RELEASE		01/13/03

7 ON FLATS



6.35 HEX



NOTE:
1. CONTACT PIN TO SOLDER



TOLERANCES					
DIMENSIONS ARE IN MILLIMETER					
UNLESS OTHERWISE SPECIFIED TOLERANCES FOR INCHES ARE 0.5-8mm±0.2mm 8-30mm±0.1mm 30-120mm±0.05mm UNLESS OTHERWISE SPECIFIED TOLERANCES FOR INCHES ARE .020-.315=±0.007" .315-1.180=±0.015" 1.180-4.724=0.020"					

TITLE SMB CLAMP PLUG
(FOR RG-174, 188 A/U, RG-316 CABLE)

Edt Code: SMBMS00203L5000-1

CHECKED J. Lin

DRAWER Eddie

FILE NO. C: EDITION: A DATE 10/01/06

SCALE 1:1 UNIT MM

9	HEX NUT	1	BRASS	GOLD
8	WASHER	1	BRASS	GOLD
7	GASKET	1	SILICONE	RED
6	TOP HAT	1	BRASS	GOLD
5	WASHER	1	BRASS	GOLD
4	CONTACT PIN	1	BER.COPPER	GOLD
3	INSULATOR	1	PTFE	NATURAL
2	SHELL	1	BRASS	GOLD
1	BODY	1	BRASS	GOLD
NO	Description	Qty	Material	Finish