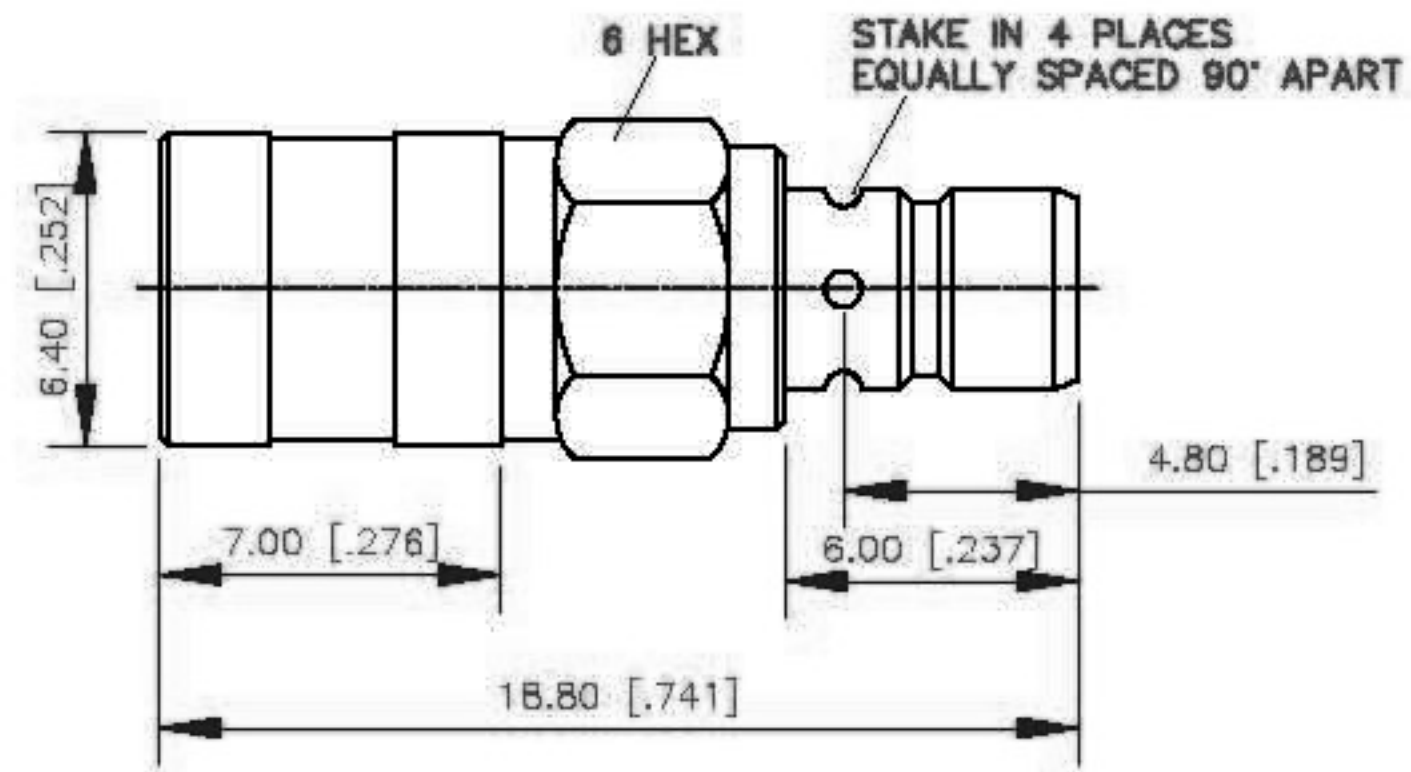


EDITION	DESCRIPTION	DRAWN	DATE
	UPDATE DRAWING FORMAT		03/27/05



TITLE SMB MALE TO FEMALE ADAPTER

CHECKED J. Lin

Edit Code. SMBMSSMBFADP5000-1

DRAWER Eddie

FILE NO. C:

EDITION: A

DATE 03/27/05

SCALE

1:2.685

UNIT

MM

TOLERANCES

DIMENSIONS ARE IN MILLIMETER

UNLESS OTHERWISE SPECIFIED
TOLERANCES FOR INCHES ARE
0.5-8mm±0.20mm
8-30mm±0.40mm
30-120mm±0.50mm
UNLESS OTHERWISE SPECIFIED
TOLERANCES FOR INCHES ARE
.020-.315=±0.007"
.315-1.180=±0.015"
1.180-4.724=0.020"

4	RETAINING RING	1	BER COPPER	GOLD
3	CONTACT PIN	1	BER COPPER	GOLD
2	INSULATOR	1	TEFLON	NATURAL
1	BODY	1	BRASS	GOLD
NO	Description	Qty	Material	Finish