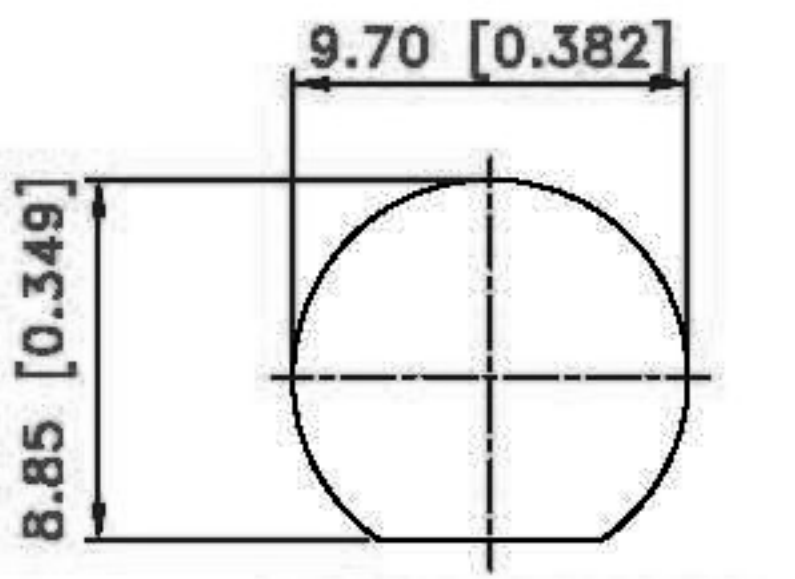
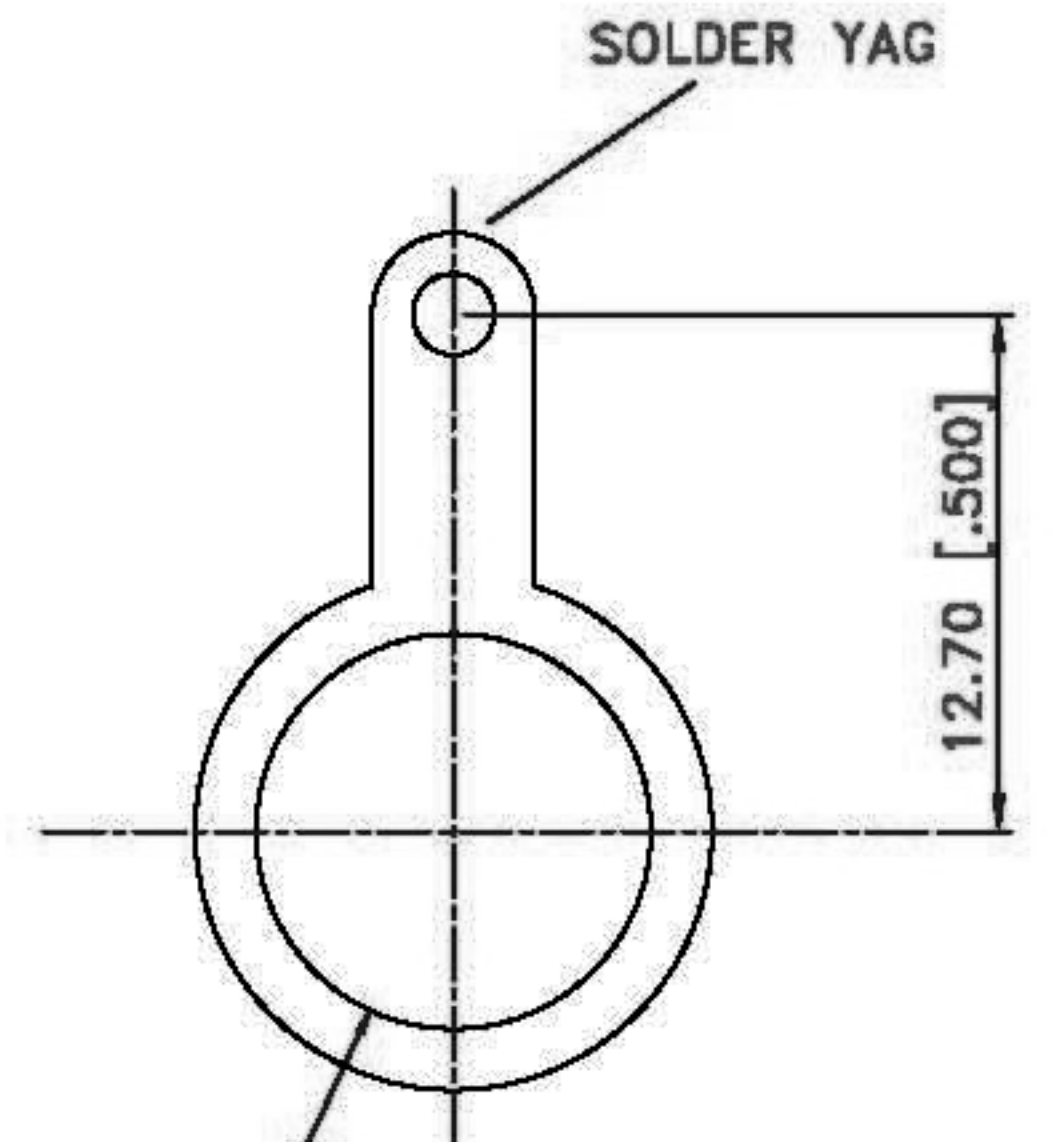
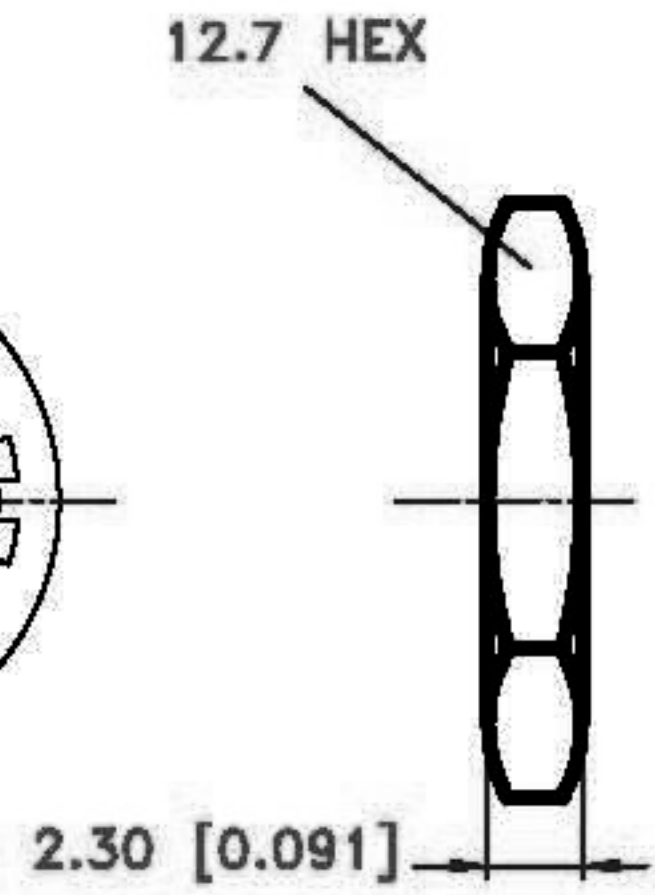
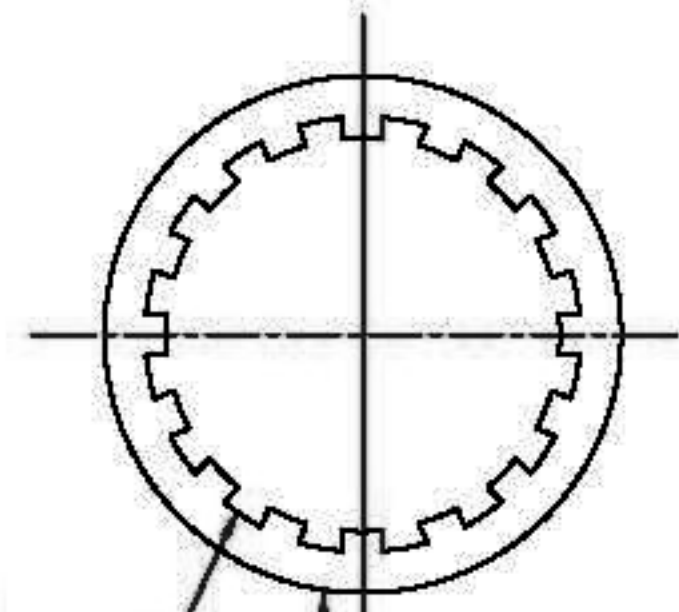
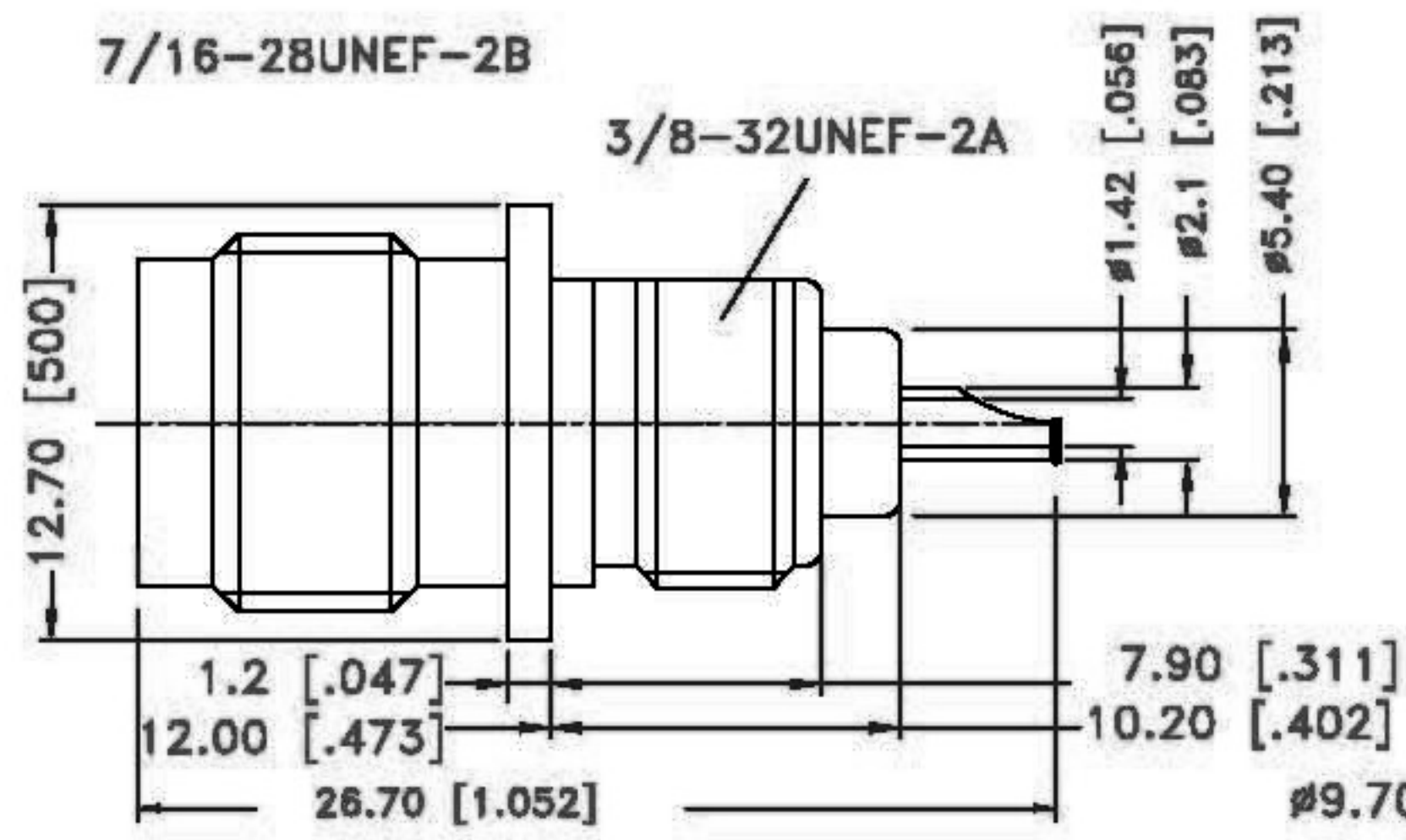


REV.	DATE	DESCRIPTION
A	01/10/04	UPDATE DRAWING FORMAT



RECOMMENDED MOUNTING HOLE



NOTE:
1. MAX. PANEL THICKNESS = 3.2mm



UNLESS OTHERWISE SPECIFIED DIMENSIONS ARE IN MILLIMETERS. DIMENSIONS IN [] ARE IN INCH AND FOR CUSTOMER REFERENCE ONLY.

UNLESS OTHERWISE SPECIFIED TOLERANCES FOR MILLIMETERS ARE:
0.5 - 8mm ± 0.20mm
8 - 30mm ± 0.40mm
30 - 120mm ± 0.50mm

UNLESS OTHERWISE SPECIFIED TOLERANCES FOR INCHES ARE:
.20 - .315 = ± 0.007"
.315 - 1.180 = ± 0.015"
1.180 - 4.724 = ± 0.020"

PART DESCRIPTION TNC Bulkhead Jack Recept.	CHECKED J. Lin
PART NO TNCFBS019015000-1	DRAWER Eddie
FILE NO. D:\	EDITION: A DATE 01/10/04 SCALE NA UNIT MM

QTY	DESCRIPTION	MATERIAL	FINISH	QTY
1	BODY	BRASS	NICKEL	1
1	INSULATOR	DELTRIN	NATURAL	1
1	CONTACT PIN	PHOS. BRONZE	GOLD	1
1	LOCK WASHER	BRASS	NICKEL	1
1	HEX NUT	BRASS	NICKEL	1
1	SOLDER TAB	BRASS	NICKEL	1