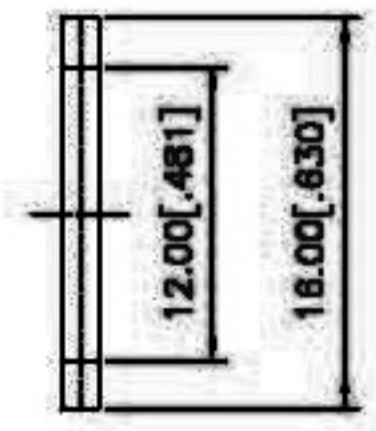
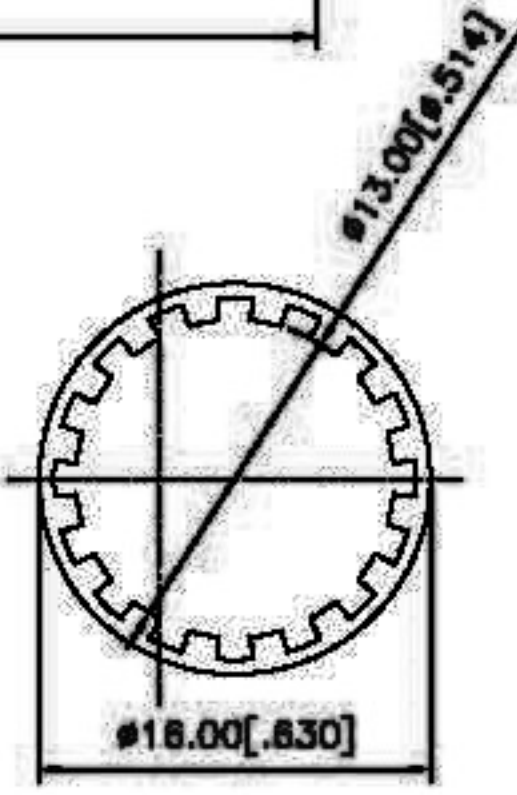
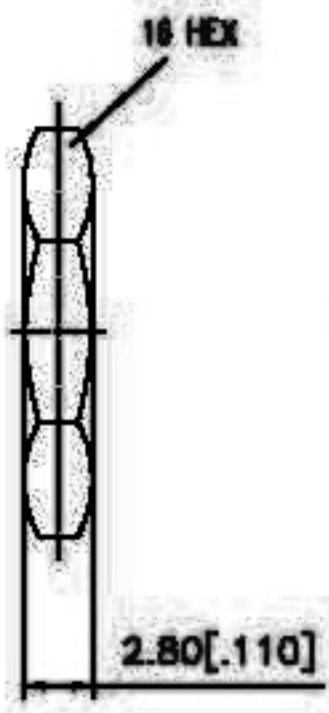
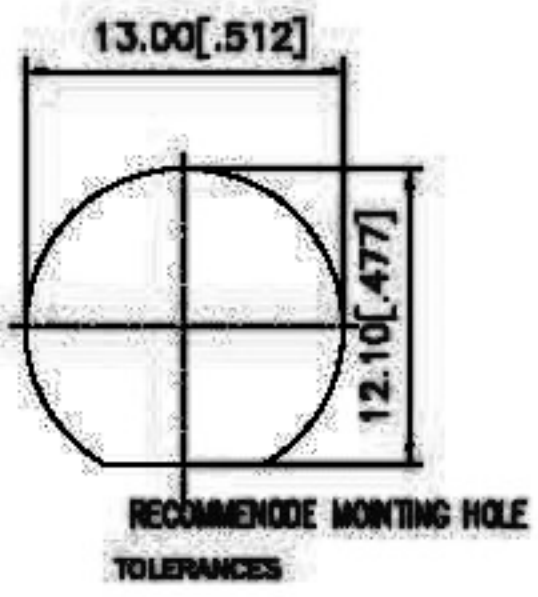
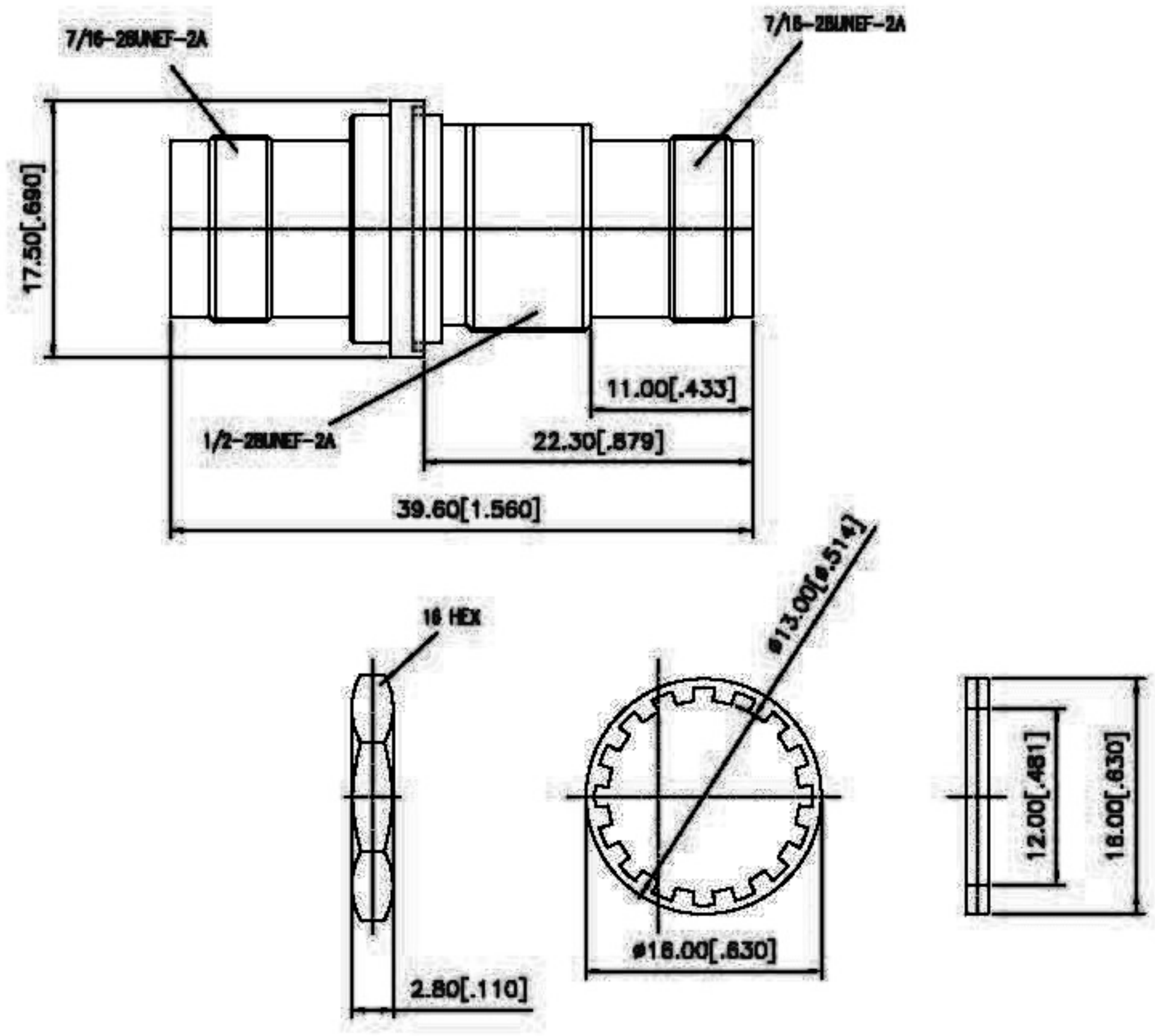


EDITION	DESCRIPTION	DRAWN	DATE



TITLE TNC FEMALE TO FEMALE BULKHEAD ADAPTOR

EdIt Code: TNCFBSTNCFADP5000-1

CHECKED J. Lin

DRAWER Eddie

TOLERANCES	
DIMENSIONS ARE IN MILLIMETER	
UNLESS OTHERWISE SPECIFIED TOLERANCES FOR INCHES ARE	
0.5-6	±0.2mm
6-30	±0.1mm
30-120	±0.05mm
120-315	±1mm
315-1000	±1.6mm
1000-2000	±2.4mm

FILE NO. C: EDITION: A DATE 05/25/04

SCALE	NA	UNIT	MM
-------	----	------	----

6	HEX NUT	1	BRASS	Nickel
5	LOCK WASHER	1	BRASS	Nickel
4	GASKET	1	BRASS	RED
3	CONTACT PIN	1	PHOS.BRONZE	GOLD
2	INSULATOR	1	DELIN	NATURAL
1	Body	1	BRASS	Nickel
NO	Description	Qty	Material	Finish