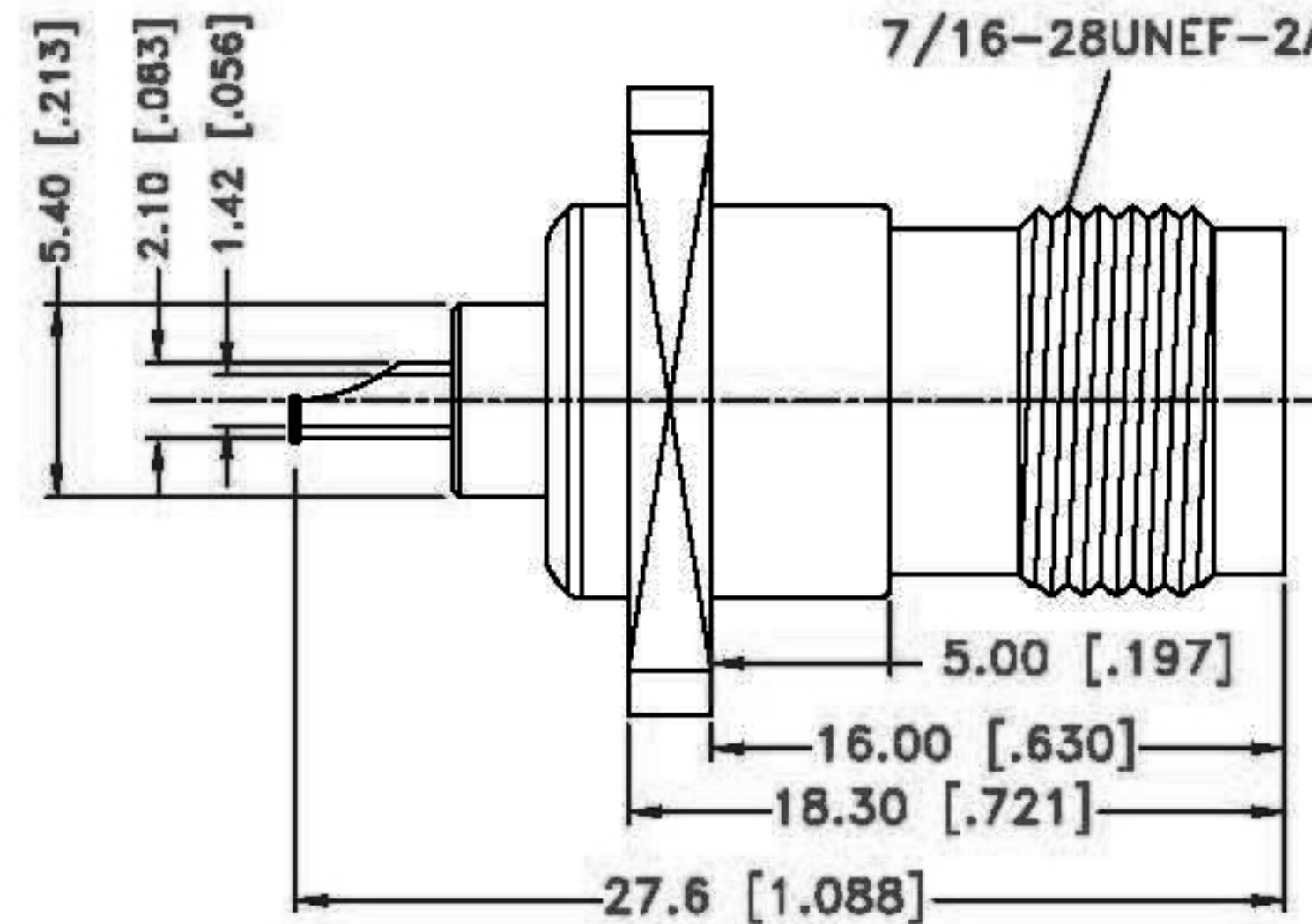
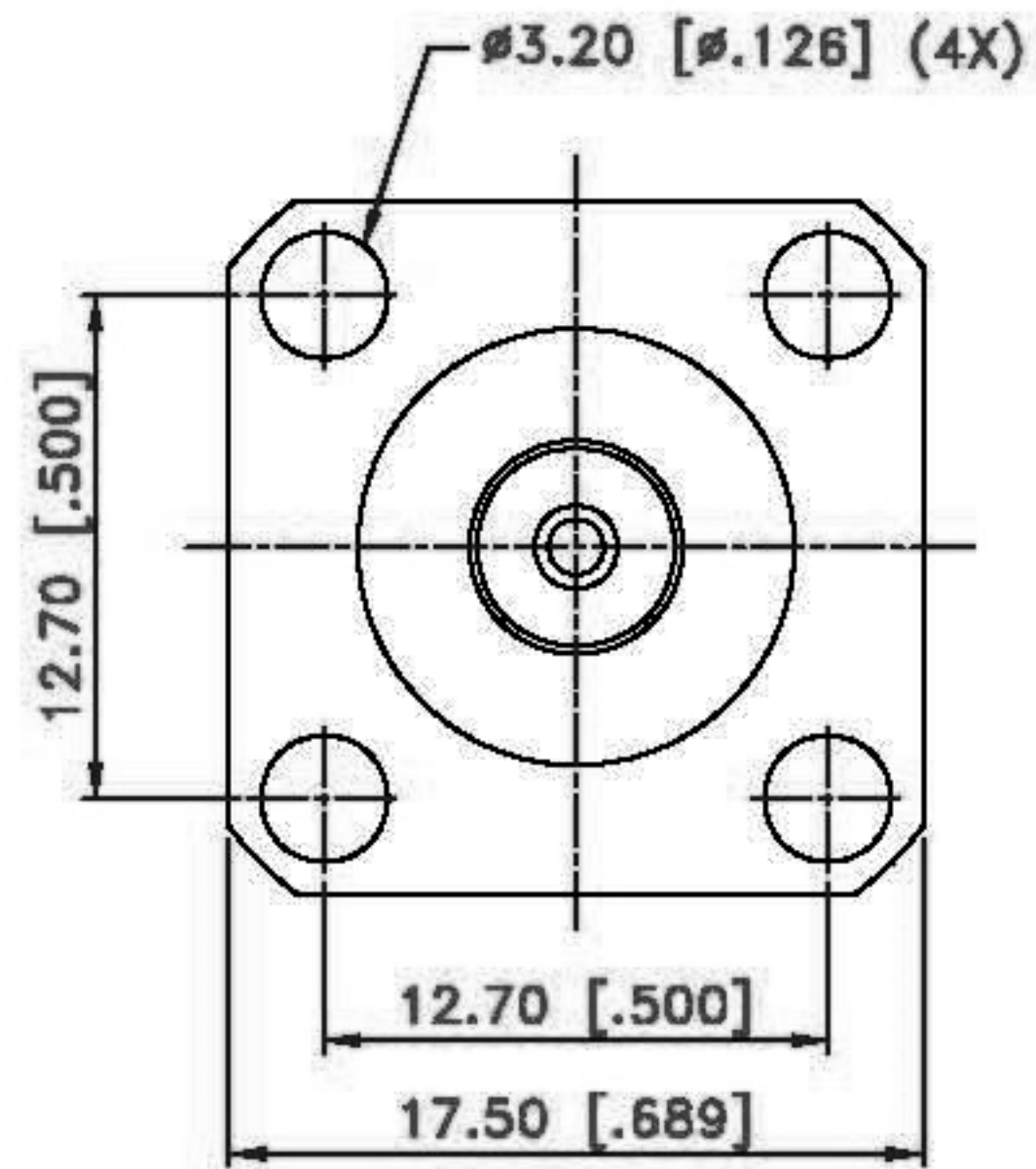


REV.	DATE	ECR NO.	DESCRIPTION
NC	10/28/01	-	INITAL RELEASE
A	02/15/09	-	UPDATE DRAWING FORMAT



UNLESS OTHERWISE SPECIFIED DIMENSIONS ARE IN MILLIMETERS. DIMENSIONS IN [] ARE IN INCH AND FOR CUSTOMER REFERENCE ONLY.

UNLESS OTHERWISE SPECIFIED TOLERANCES FOR MILLIMETERS ARE:
0.5 - 8mm ± 0.20 mm
8 - 30mm ± 0.40 mm
30 - 120mm ± 0.50 mm

UNLESS OTHERWISE SPECIFIED TOLERANCES FOR INCHES ARE:
.20 - .315 = ± 0.007 "
.315 - 1.180 = ± 0.015 "
1.180 - 4.724 = ± 0.020 "

PART DESCRIPTION
TNC Panel Jack, 50 Ohm

CHECKED
J. Lin

PART NO
TNCFS009015000-1

DRAWER
Eddie

FILE NO. D:\

EDITION: A DATE 02/15/09

SCALE NA UNIT MM

4	CONTACT PIN	PHOS. BRONZE	COLD	1
3	INSULATOR	PIFE	NATURAL	1
2	HOUSING	BRASS	NICKEL	
1	BODY	BRASS	NICKEL	1
	DESCRIPTION	MATERIAL	FINISH	QTY