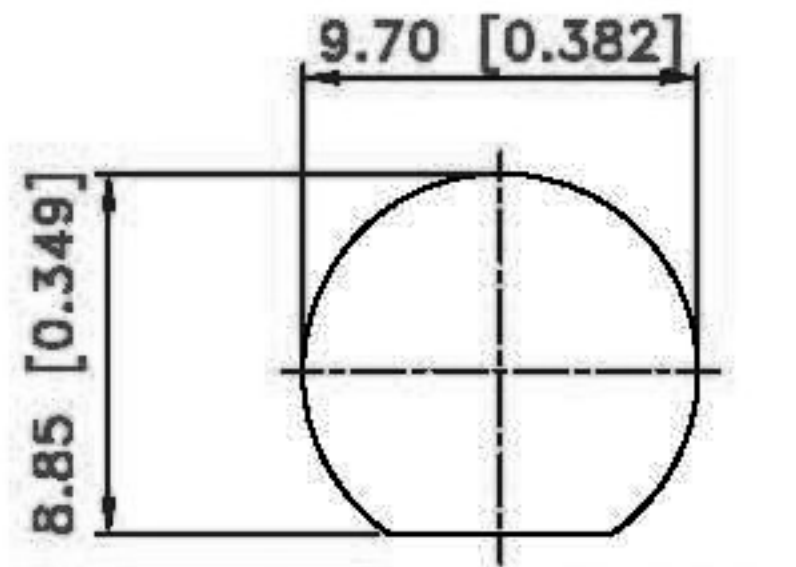
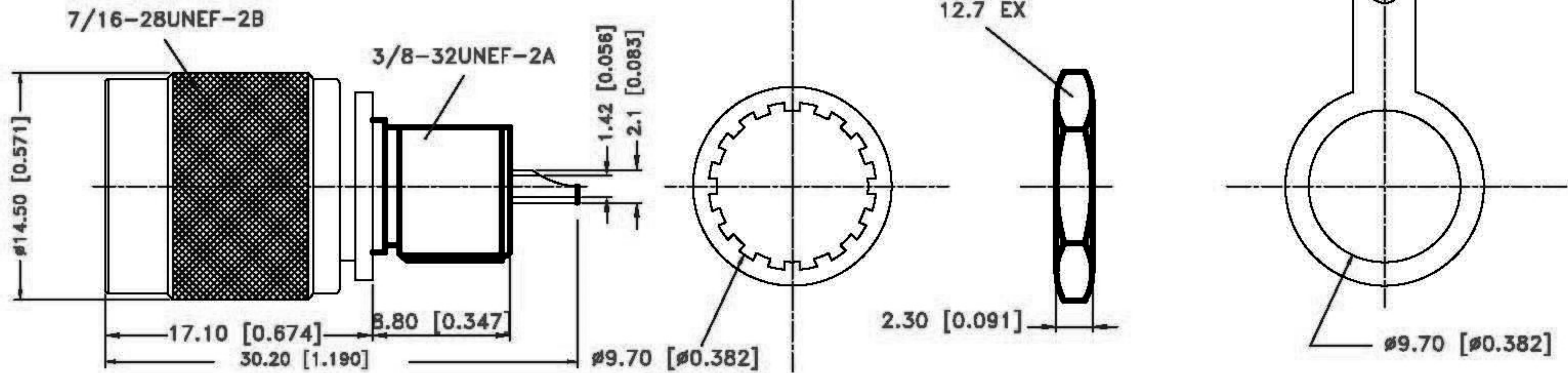


REV.	DATE	DESCRIPTION
NC	01/17/00	INITIAL RELEASE
A	05/21/07	UPDATE DRAWING FORMAT



RECOMMENDED MOUNTING HOLE



ChoiceRight Electronic Inc

UNLESS OTHERWISE SPECIFIED DIMENSIONS ARE IN MILLIMETERS. DIMENSIONS IN [] ARE IN INCH AND FOR CUSTOMER REFERENCE ONLY.

UNLESS OTHERWISE SPECIFIED TOLERANCES FOR MILLIMETERS ARE:
0.5 - 8mm ± 0.20mm
8 - 30mm ± 0.40mm
30 - 120mm ± 0.50mm

UNLESS OTHERWISE SPECIFIED TOLERANCES FOR INCHES ARE:
.20 - .315 = ± 0.007"
.315 - 1.180 = ± 0.015"
1.180 - 4.724 = ± 0.020"

PART DESCRIPTION
TNC Plug Bulkhead Recept.

CHECKED
J. Lin

PART NO
TNCMBS019025000-1

DRAWER
Eddie

FILE NO. D:\

EDITION: A DATE 05/21/07

SCALE NA UNIT MM

4	SOLDER TAG	BRASS	NICKEL	1
3	CONTACT PIN	BRASS	GOLD	1
2	INSULATOR	TEFLON	NATURAL	1
1	BODY	BRASS	NICKEL	1
	DESCRIPTION	MATERIAL	FINISH	QTY