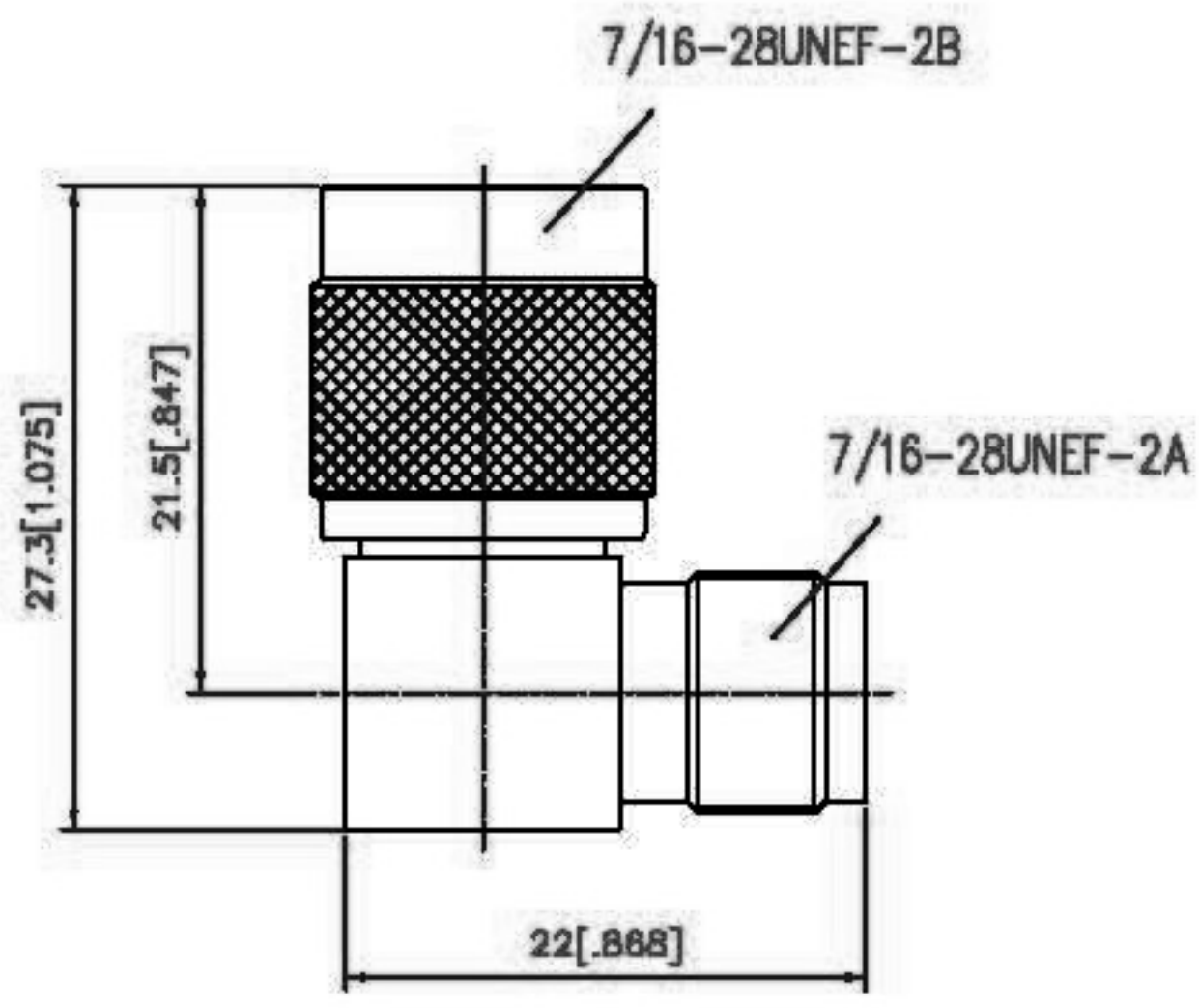


EDITION	DESCRIPTION	DRAWN	DATE



TITLE TNC MALE TO FEMALE R/A ADAPTER  
(50 OHM)

CHECKED J. Lin

Edit Code. TNCMRTNCFADP5000-1

DRAWER Eddie

**TOLERANCES**  
DIMENSIONS ARE IN MILLIMETER

UNLESS OTHERWISE SPECIFIED  
TOLERANCES FOR INCHES ARE  
0.5-8mm±0.2mm  
8-30mm±0.1mm  
30-120mm±0.05mm  
UNLESS OTHERWISE SPECIFIED  
TOLERANCES FOR INCHES ARE  
.020-.315=±0.007"  
.315-1.180=±0.015"  
1.180-4.724=±0.020"

FILE NO. C:      EDITION: A      DATE 07/21/03      SCALE      NA      UNIT      MM

3	CONTACT PIN	1	PHOS. BRONZE	GOLD
2	INSULATOR	1	DELTRIN	NATURAL
1	Body	1	BRASS	NICKEL
NO	Description	Qty	Material	Finish