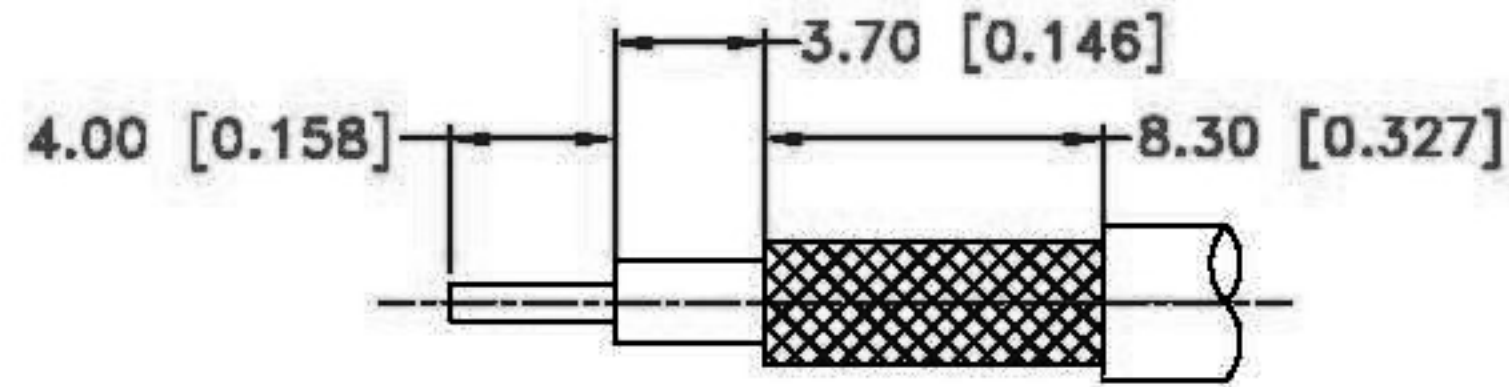
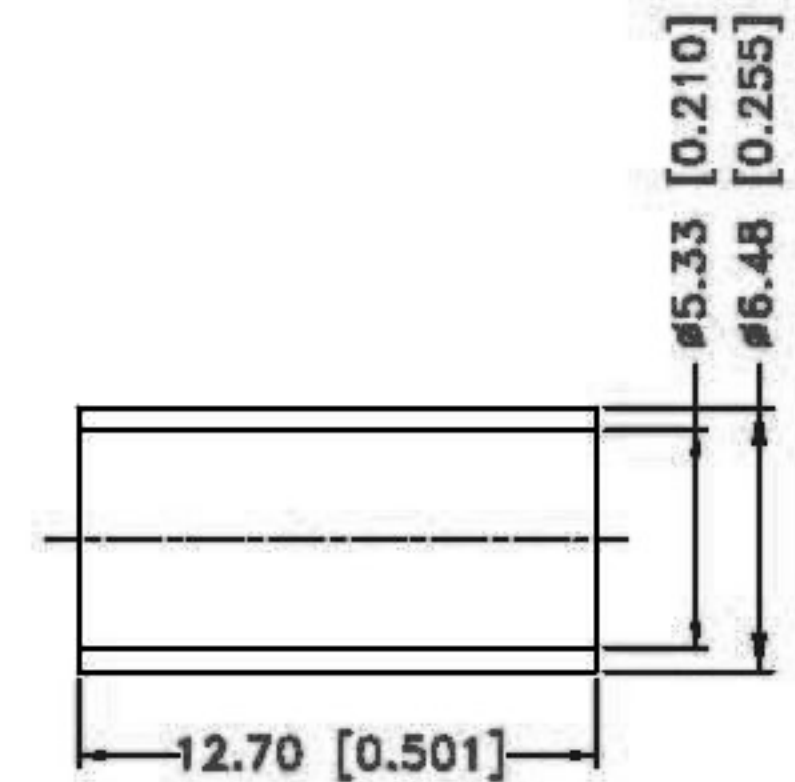
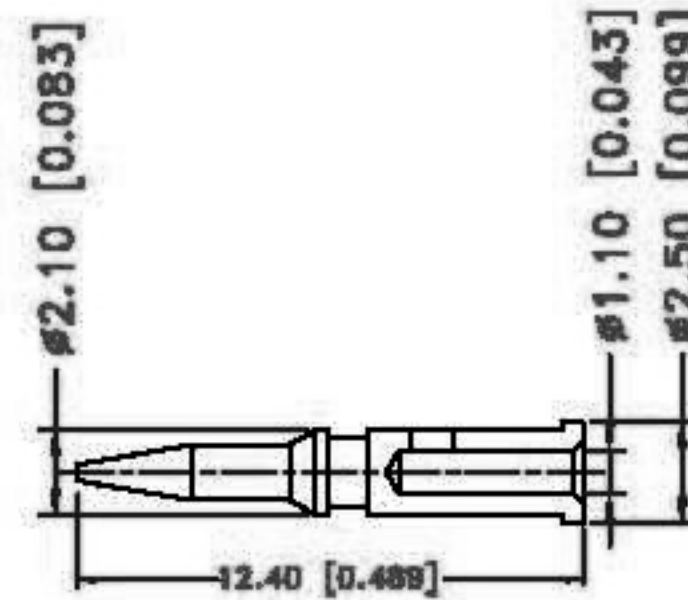
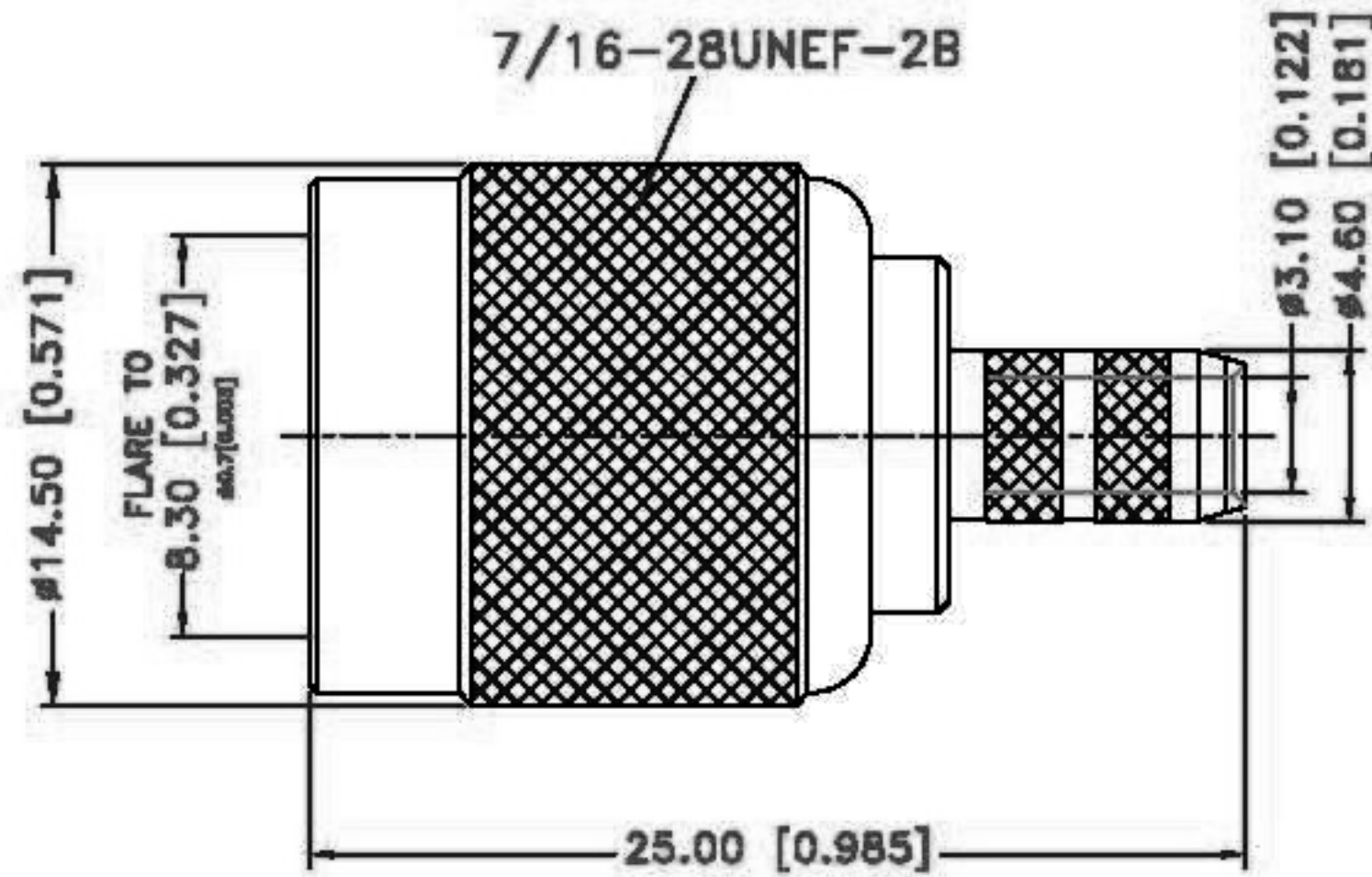


REV.	DATE	ECR NO.	DESCRIPTION
A	12/23/02	-	MODIFY CONTACT PIN LENGTH TO 12.25mm
B	07/16/08	-	MODIFY CONTACT PIN LENGTH TO 12.40mm



RECOMMENDED
CABLE STRIPPING DIM'S



NOTE:

1. CRIMPED FERRULE HEX CRIMP SIZE .213" [5.14]
2. CRIMPED CONTACT PIN HEX CRIMP SIZE .068" [1.73]



UNLESS OTHERWISE SPECIFIED DIMENSIONS ARE IN MILLIMETERS. DIMENSIONS IN [] ARE IN INCH AND FOR CUSTOMER REFERENCE ONLY.

UNLESS OTHERWISE SPECIFIED TOLERANCES FOR MILLIMETERS ARE:
0.5 - 8mm ± 0.20mm
8 - 30mm ± 0.40mm
30 - 120mm ± 0.50mm

UNLESS OTHERWISE SPECIFIED TOLERANCES FOR INCHES ARE:
.20 - .315 = ± 0.007"
.315 - 1.180 = ± 0.015"
1.180 - 4.724 = ± 0.020"

PART DESCRIPTION TNC Straight Crimp Plug	CHECKED J. Lin				
PART NO TNCMS00101F5000-1	DRAWER Eddie				
FILE NO. D:\	EDITION: B	DATE 07/16/08	SCALE	NA	UNIT MM

QTY	DESCRIPTION	MATERIAL	FINISH	QTY
8				
7				
6				
5	FERRULE	BRASS	NICKEL	1
4	GASKET	RUBBER	RED	1
3	INSULATOR	DELTRIN	NATURAL	1
2	CONTACT PIN	BRASS	GOLD	1
1	SHELL/BODY	BRASS	NICKEL	1
	DESCRIPTION	MATERIAL	FINISH	QTY