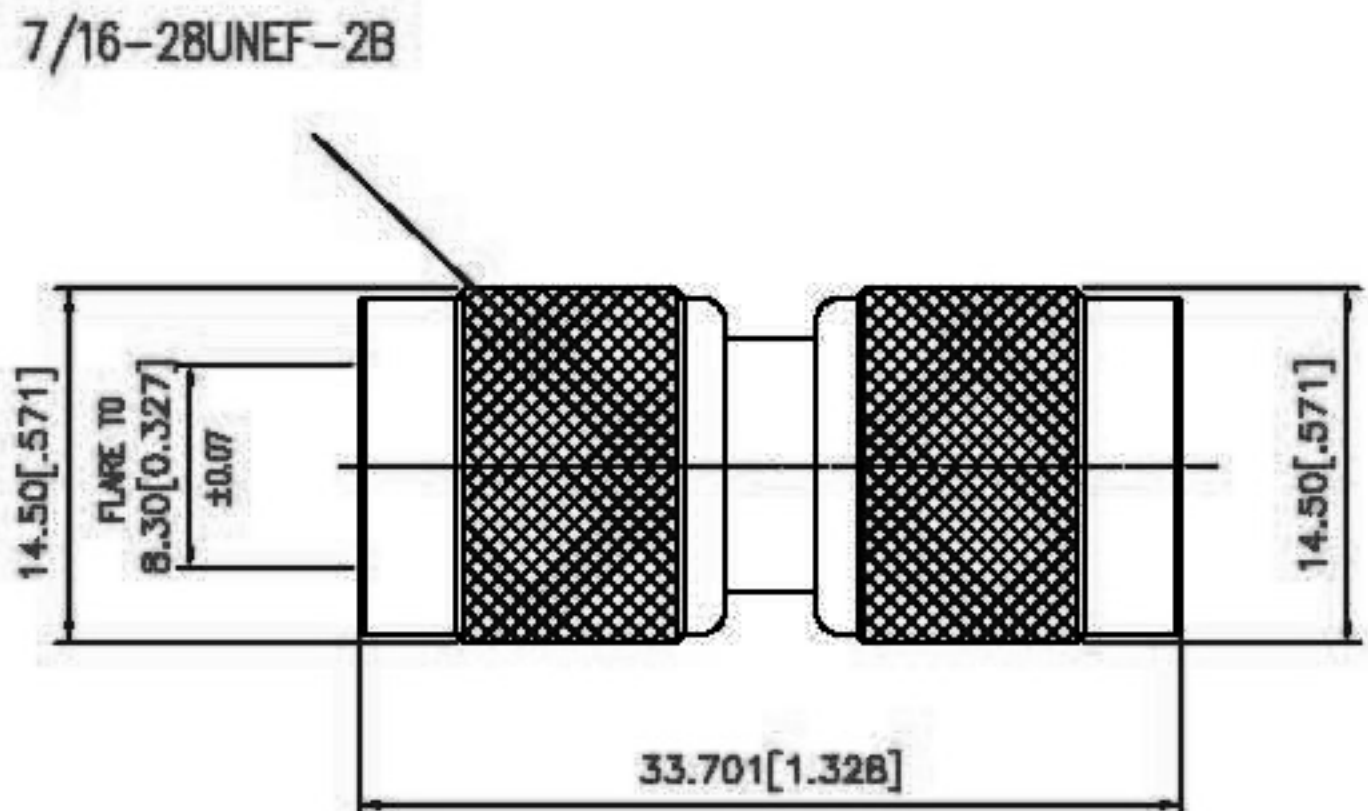


| | | | |
|---------|-------------|-------|------|
| EDITION | DESCRIPTION | DRAWN | DATE |
| | | | |
| | | | |



 **ChoiceRight Electronic Inc**

TOLERANCES
DIMENSIONS ARE IN MILLIMETER

UNLESS OTHERWISE SPECIFIED
TOLERANCES FOR INCHES ARE
0.5–8mm±0.2mm
8–30mm±0.1mm
30–120mm±0.05mm
UNLESS OTHERWISE SPECIFIED
TOLERANCES FOR INCHES ARE
.020–.315±0.007"
.315–1.180±0.015"
1.180–4.724±0.020"

TITLE: TNC MALE TO TNC MALE ADAPTER
(50 ohm)

EDIT CODE: TNCMSTNCMADP5000-1

FILE NO. C:

CHECKED: J. Lin

DRAWER: Eddie

EDITION: A DATE 06/30/05

SCALE: NA UNIT: MM

| 3 | INSULATOR | 1 | DELRIN | NATURAL |
|----|-------------|-----|----------|---------|
| 2 | CONTACT PIN | 1 | BRASS | GOLD |
| 1 | Body | 1 | BRASS | NICKEL |
| NO | Description | Qty | Material | Finish |