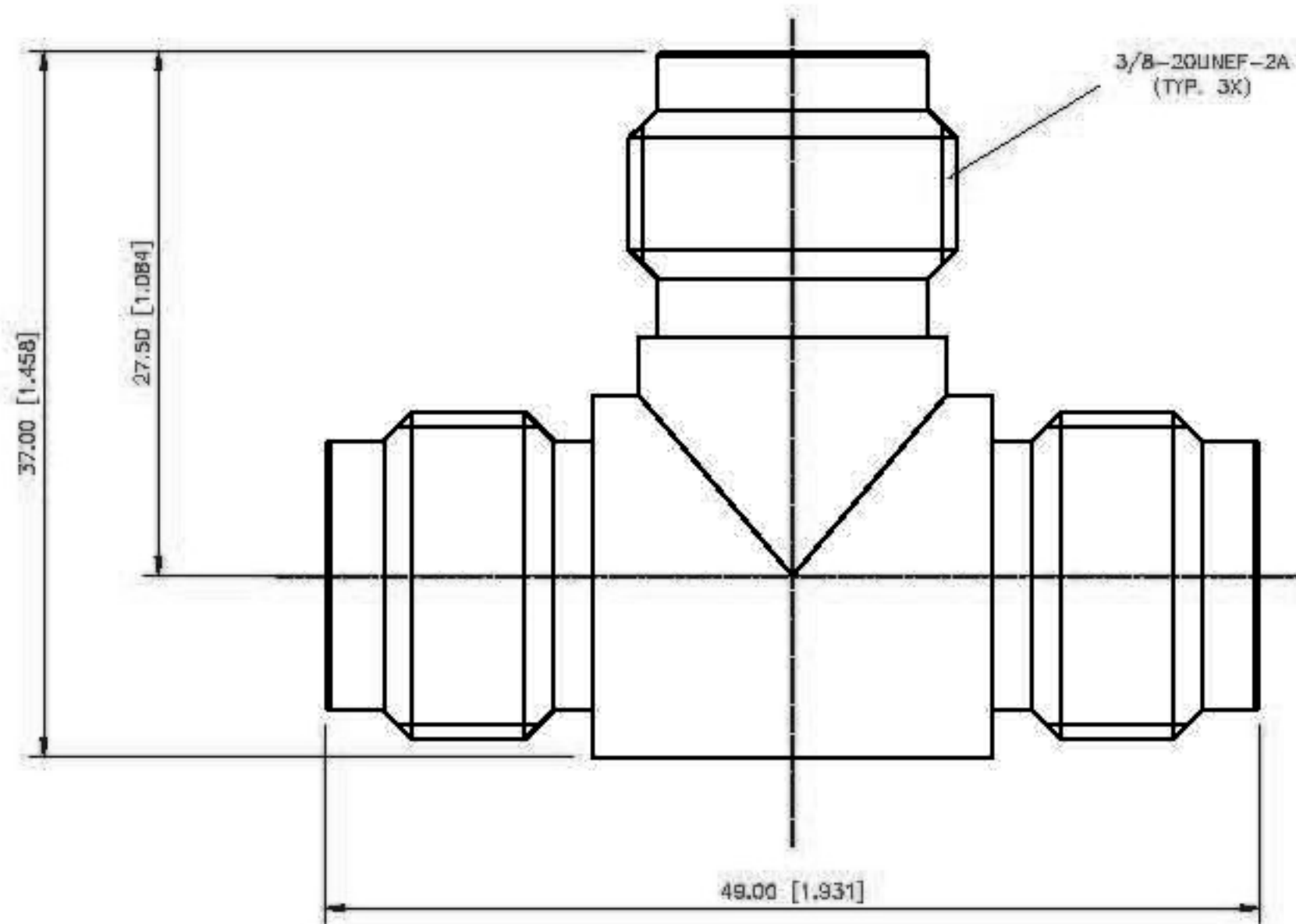
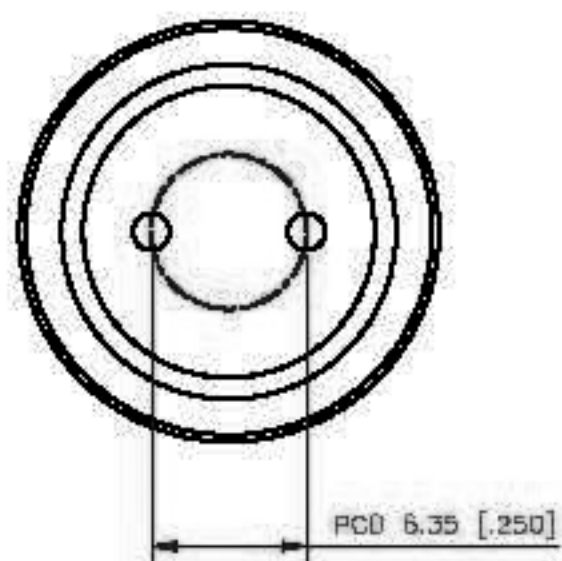


EDITION	DESCRIPTION	DRAWN	DATE
NO	INITIAL RELEASE		02/28/00



ChoiceRight Electronic Inc

TITLE: THERMAL JUNCTION ADAPTER
 DATE CODE: TMDFTWFTADP5000-1
 FILE NO. 02

DESIGNED BY: J. Lin
 DRAWN BY: Eddie

TOLERANCES					
DIMENSIONS ARE IN MILLIMETER					
0.15	0.30	0.45	0.75	1.50	3.00
FRACTIONAL	DECIMAL	DECIMAL	DECIMAL	DECIMAL	DECIMAL
±	±	±	±	±	±
0.15	0.30	0.45	0.75	1.50	3.00
FRACTIONAL	DECIMAL	DECIMAL	DECIMAL	DECIMAL	DECIMAL
±	±	±	±	±	±

NO	Description	Qty	Material	Finish
3	CONTACT PIN	2	PHOS. BRONZE	GOLD
2	INSULATOR	1	PBT	WHITE
1	BODY	1	BRASS	NICKEL
NO	Description	Qty	Material	Finish