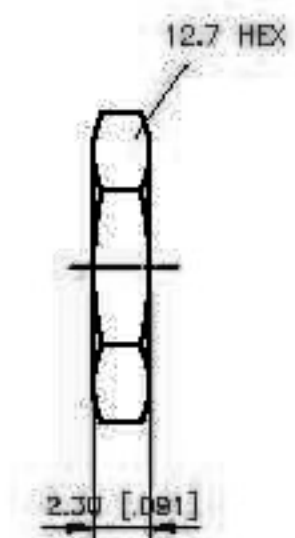
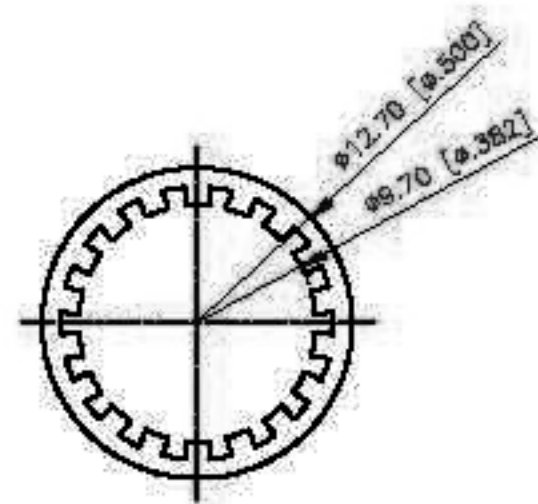
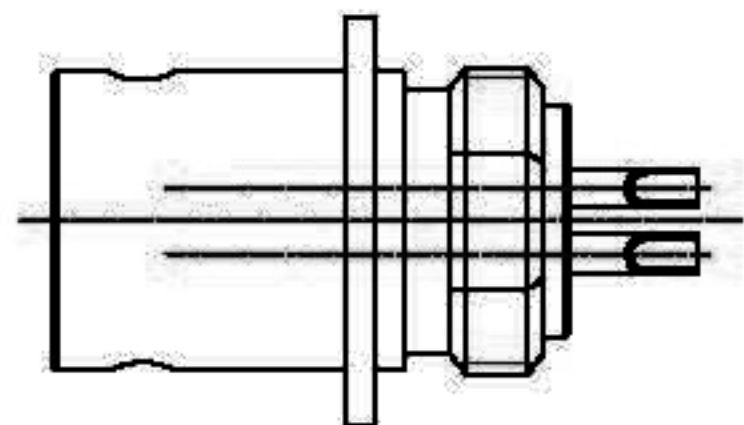
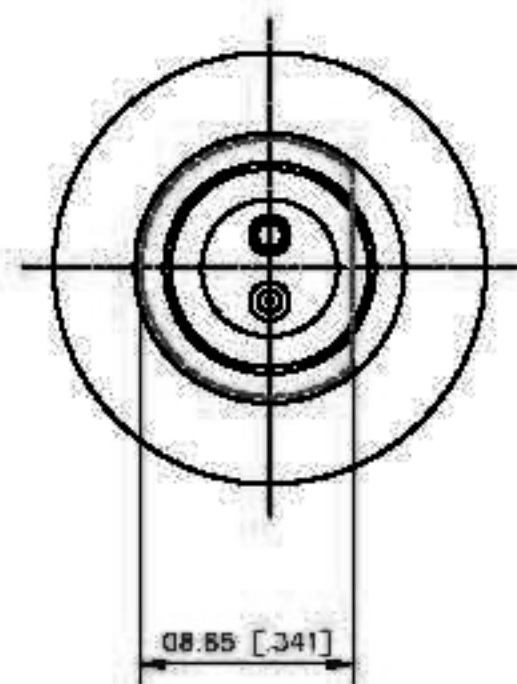
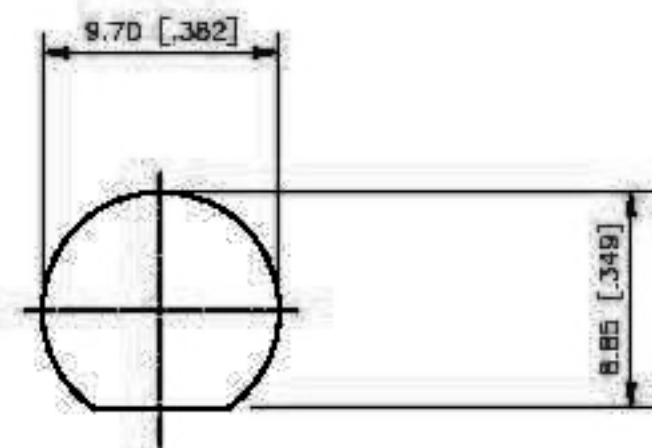


EDITION	DESCRIPTION	DRAWN	DATE
A	INITIAL RELEASE		06/01/07



NO	Description	Qty	Material	Finish
5	HEX NUT	1	BRASS	NICKEL
5	LOCK WASHER	1	BRASS	NICKEL
4	CONTACT PIN	1	PHOS. BRONZE	GOLD
3	CONTACT PIN	1	BRASS	GOLD
2	INSULATOR	2	PBT	WHITE
1	BODY	1	BRASS	NICKEL
NO	Description	Qty	Material	Finish

ChoiceRight Electronic Inc

DESIGNED BY: J. Lin
 DRAWN BY: Eddie

DATE: 06/01/07

FILE NO: TMFSD10017800-1

TOLERANCES
 UNLESS OTHERWISE SPECIFIED IN MILLIMETER

FRAMES	±.01
HOLES	±.01
OTHER	±.02