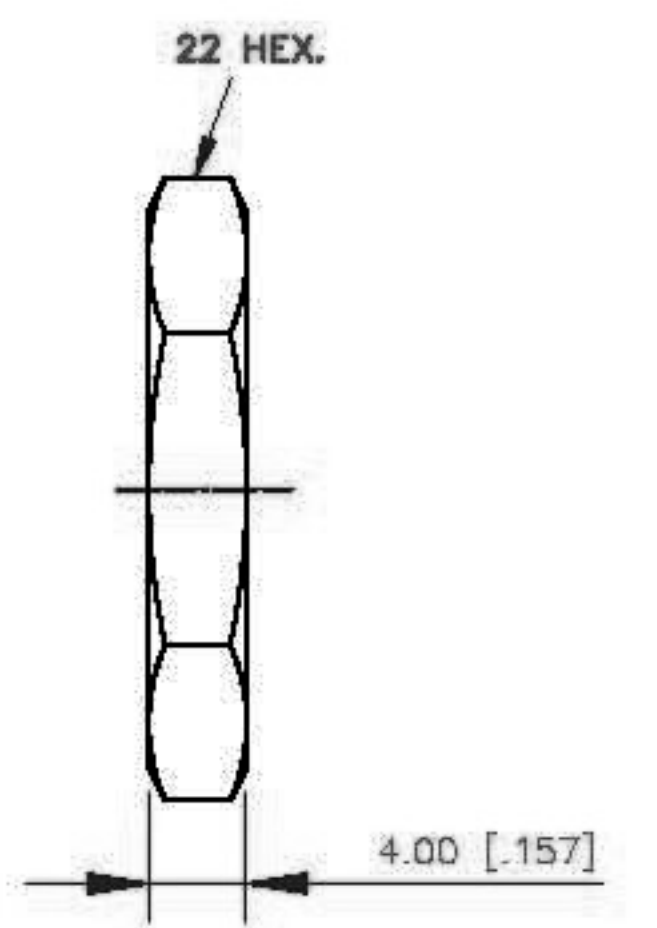
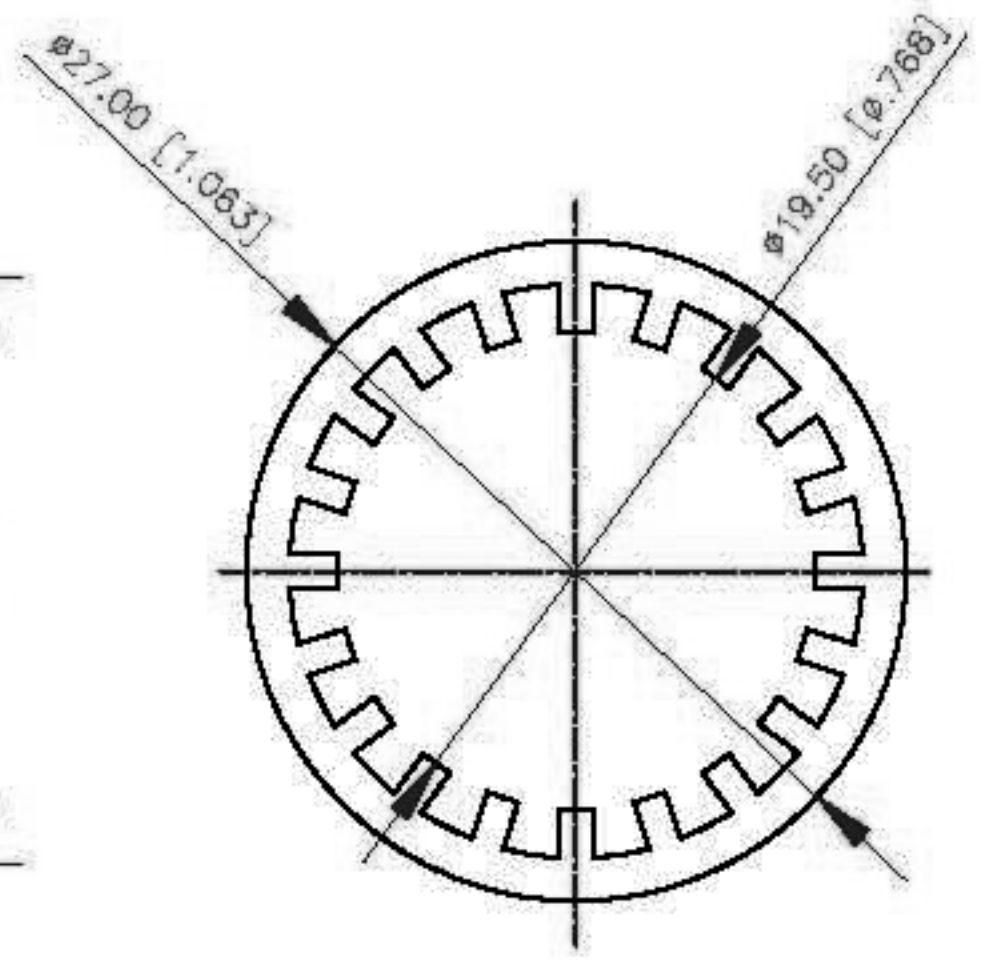
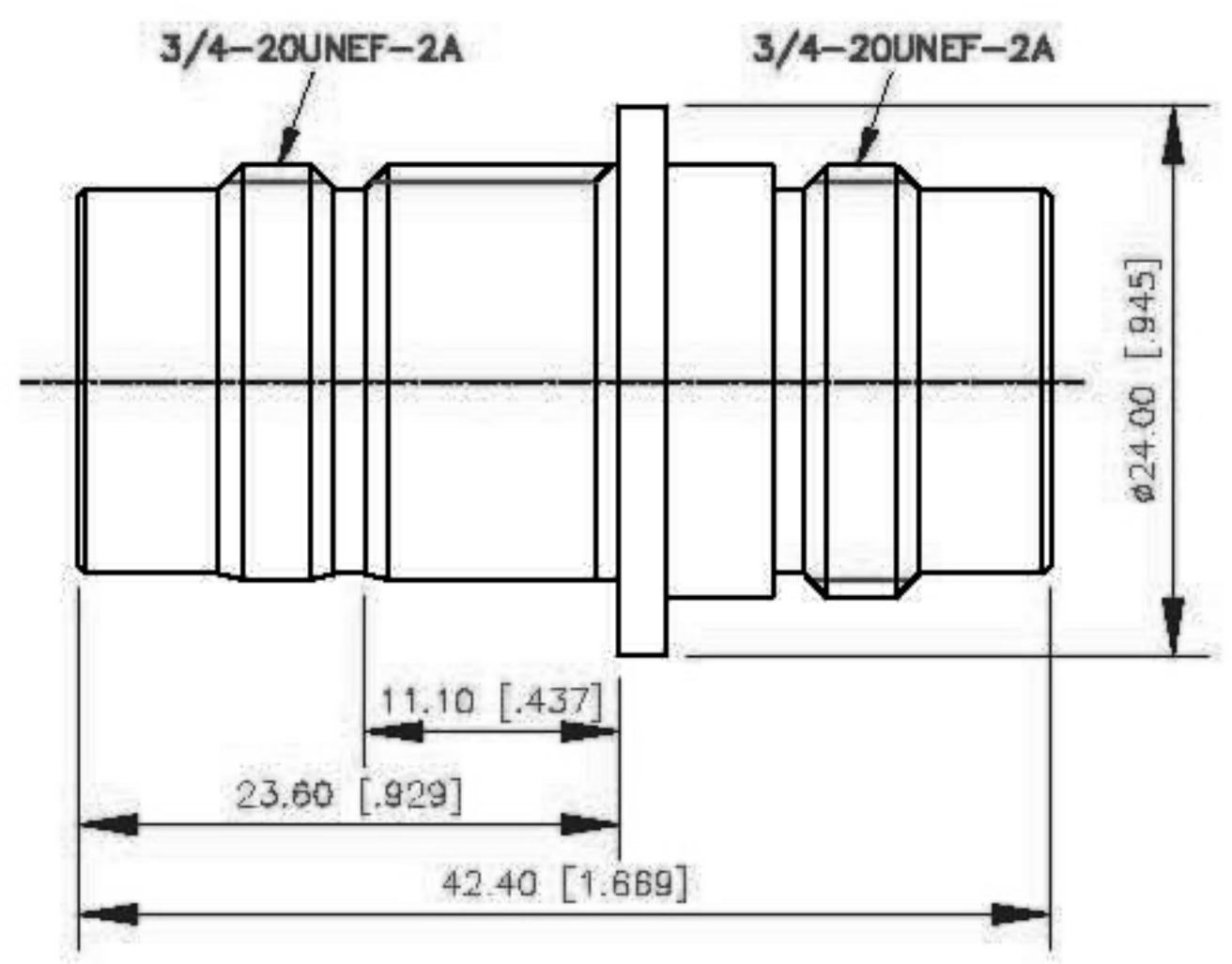
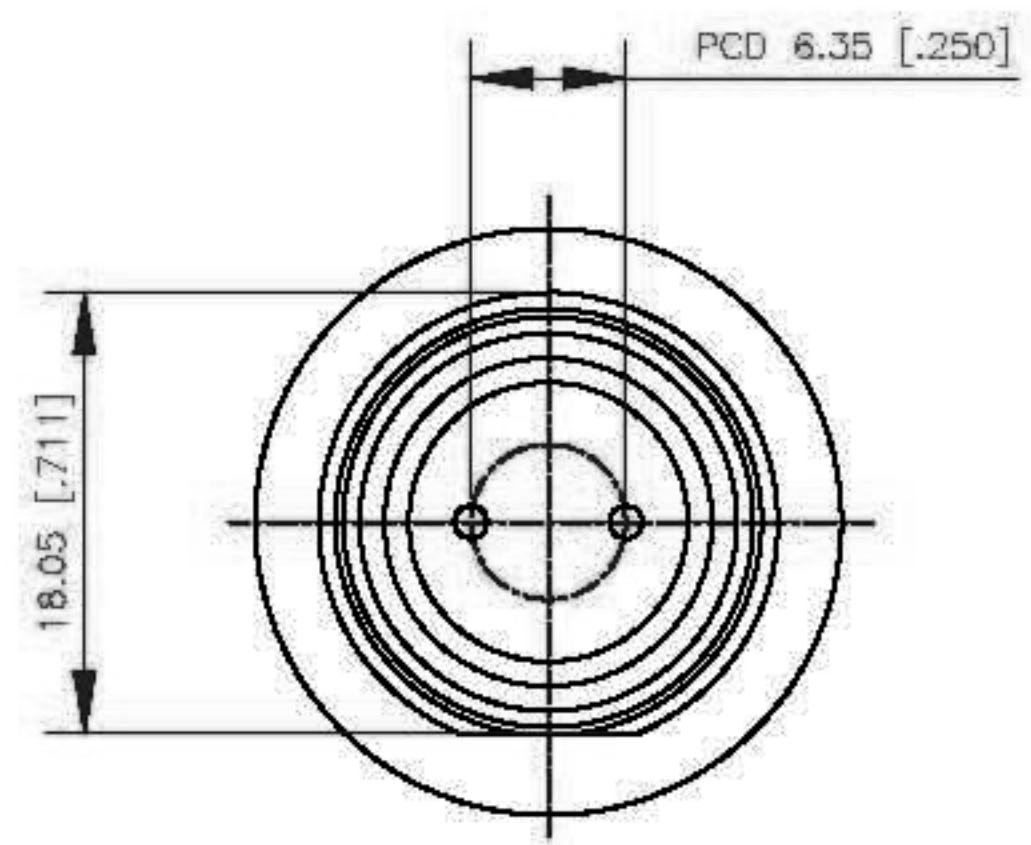
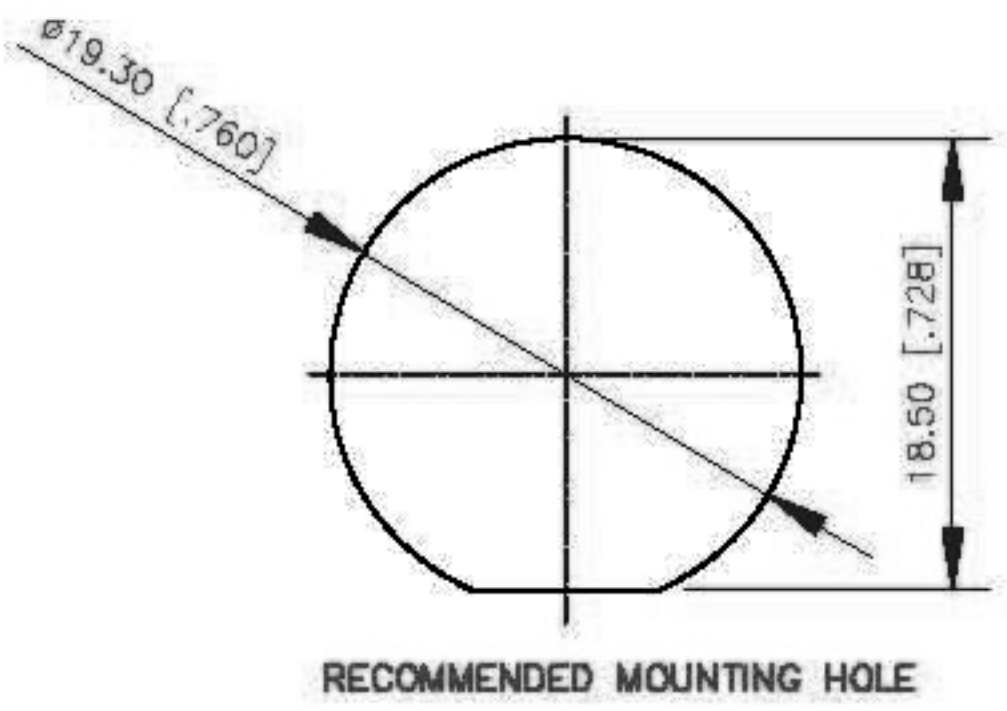


| | | | |
|---------|----------------|-------|----------|
| EDITION | DESCRIPTION | DRAWN | DATE |
| | INITAL RELEASE | | 04/29/10 |



| | | | |
|-------------|---|---------|----------|
| TITLE | TWINAXIAL BULKHEAD JACK-TO-JACK ADAPTOR | CHECKED | J. Lin |
| Edt Code. | TWFBSTWFADP5000-1 | DRAWER | Eddie |
| FILE NO. C: | EDITION: A | DATE | 04/29/10 |

| TOLERANCES | |
|---|--------|
| DIMENSIONS ARE IN MILLIMETER | |
| UNLESS OTHERWISE SPECIFIED TOLERANCES FOR INCHES ARE 0.5-8mm±0.20mm 8-30mm±0.40mm 30-120mm±0.50mm UNLESS OTHERWISE SPECIFIED TOLERANCES FOR INCHES ARE .020-.315=±0.007" .315-1.180=±0.015" 1.180-4.724=0.020" | |
| SCALE | 1:1.49 |
| UNIT | MM |

| 8 | HEX NUT | 1 | BRASS | NICKEL |
|----|-------------|-----|-----------------|--------|
| 7 | LOCK WASHER | 1 | BRASS | NICKEL |
| 6 | PIN | 1 | BRASS | NICKEL |
| 5 | PIN | 2 | BRASS | NICKEL |
| 4 | RING | 1 | BRASS | NICKEL |
| 3 | CONTACT PIN | 2 | PHOSPHOR BRONZE | GOLD |
| 2 | INSULATOR | 2 | PBT | WHITE |
| 1 | BODY | 1 | BRASS | NICKEL |
| NO | Description | Qty | Material | Finish |