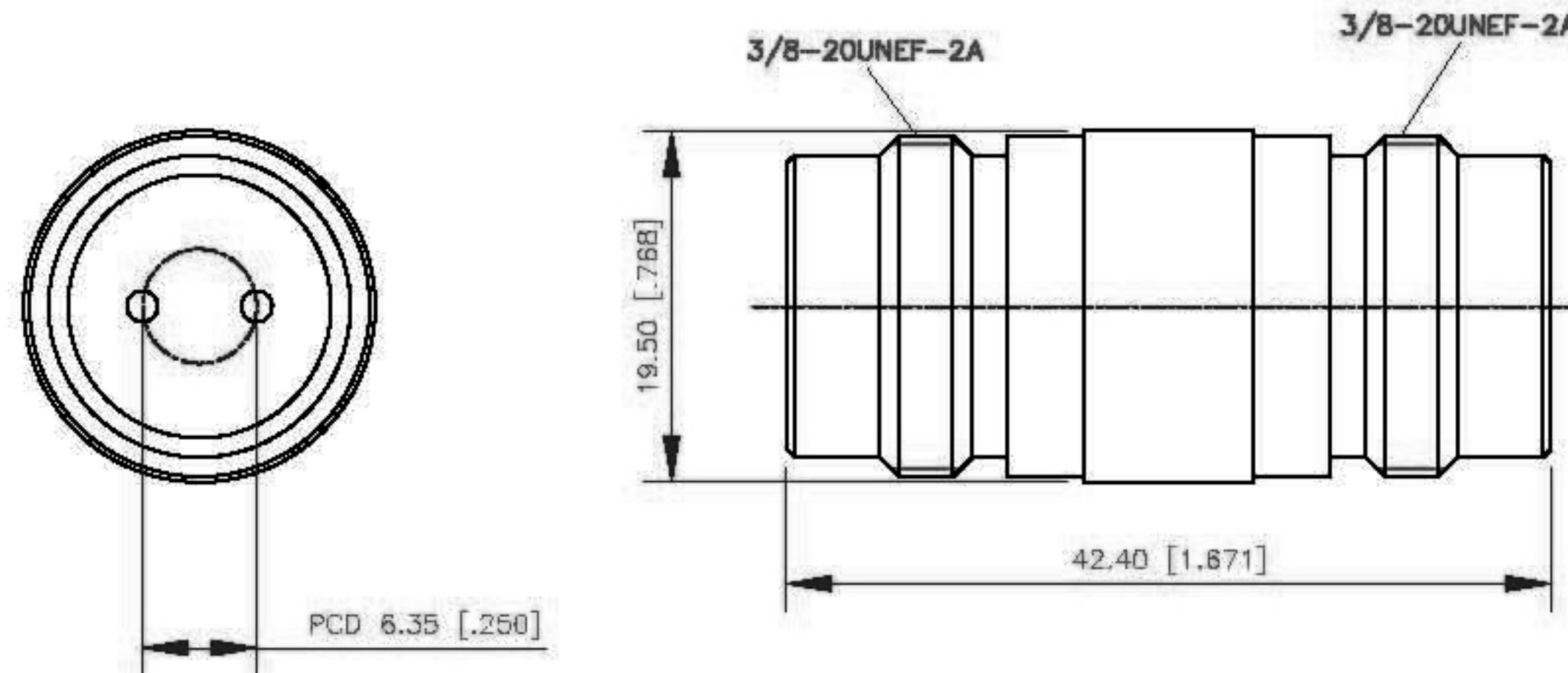


EDITION	DESCRIPTION	DRAWN	DATE
	INITAL RELEASE		04/15/07



ChoiceRight Electronic Inc

TOLERANCES

DIMENSIONS ARE IN MILLIMETER

UNLESS OTHERWISE SPECIFIED  
TOLERANCES FOR INCHES ARE  
0.5-8mm±0.20mm  
8-30mm±0.40mm  
30-120mm±0.50mm  
UNLESS OTHERWISE SPECIFIED  
TOLERANCES FOR INCHES ARE  
.020-.315=±0.007"  
.315-1.180=±0.015"  
1.180-4.724=0.020"

TITLE TWINAXIAL FEMALE-FEMALE ADAPTER

CHECKED J. Lin

Edit Code. TWFSWFADP5000-1

DRAWER Eddie

FILE NO. C: EDITION: A DATE 04/15/07 SCALE 1:2.33 UNIT MM

NO	Description	Qty	Material	Finish
3	CONTACT PIN	2	PHOS BRONZE	GOLD
2	INSULATOR	2	PBT	NATURAL
1	BODY	1	BRASS	NICKEL