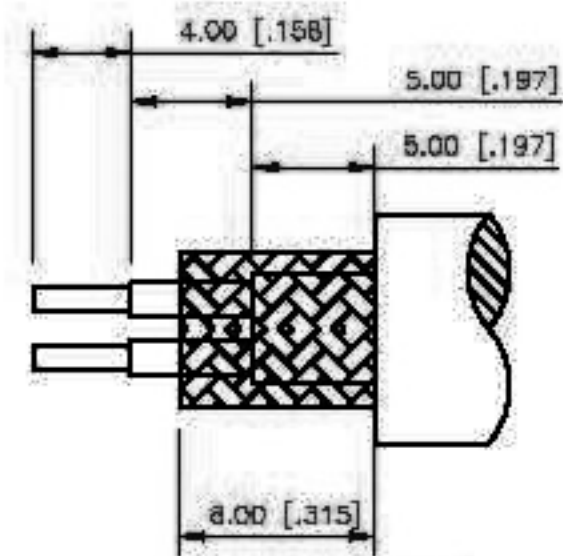
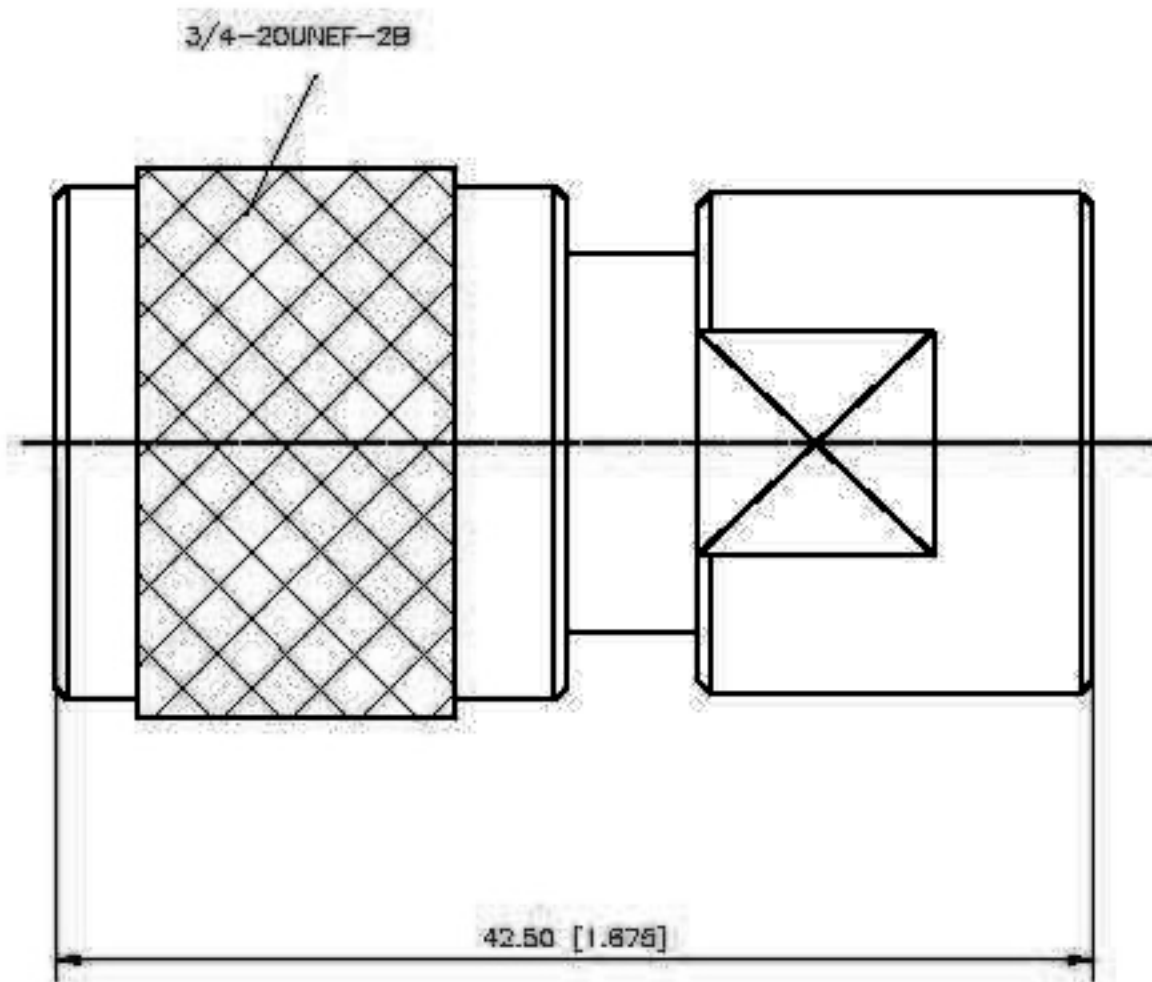
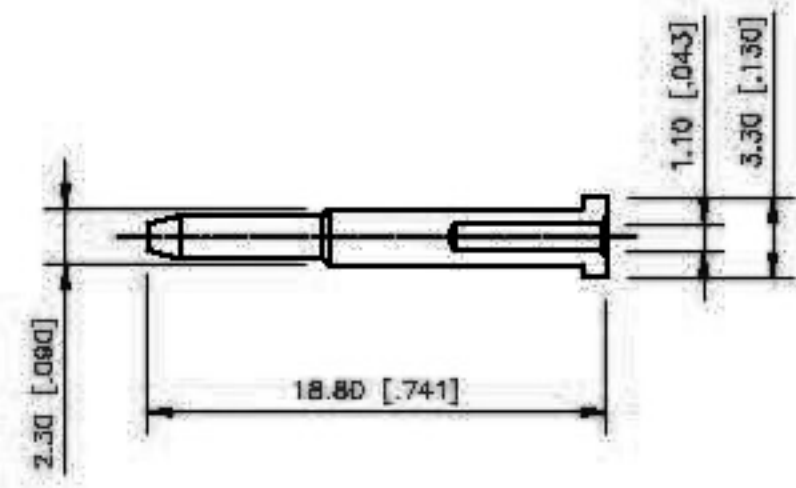
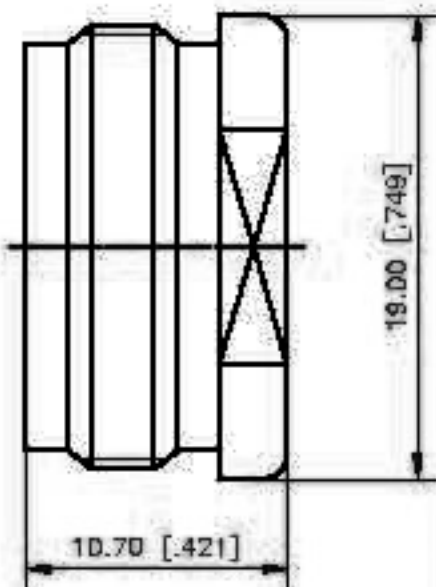
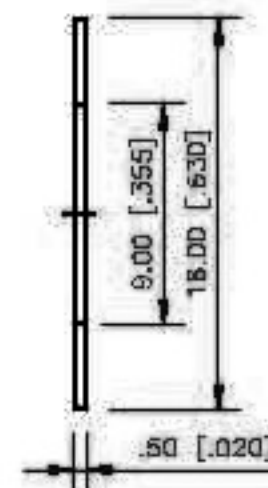
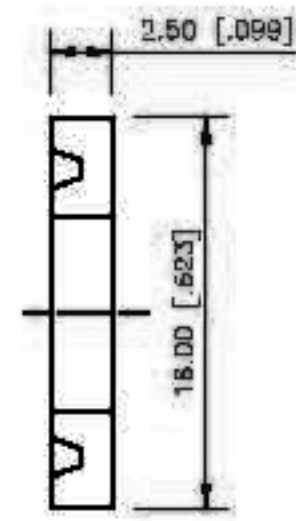
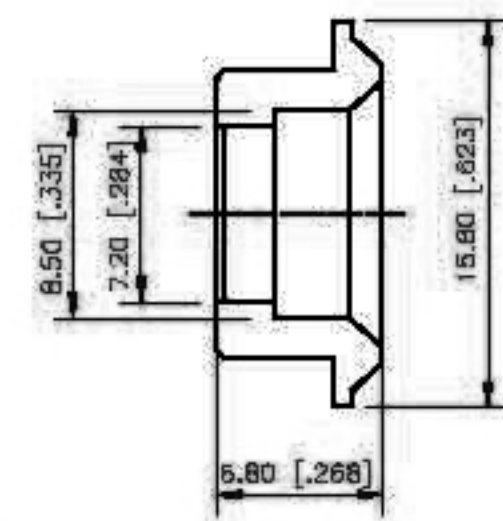
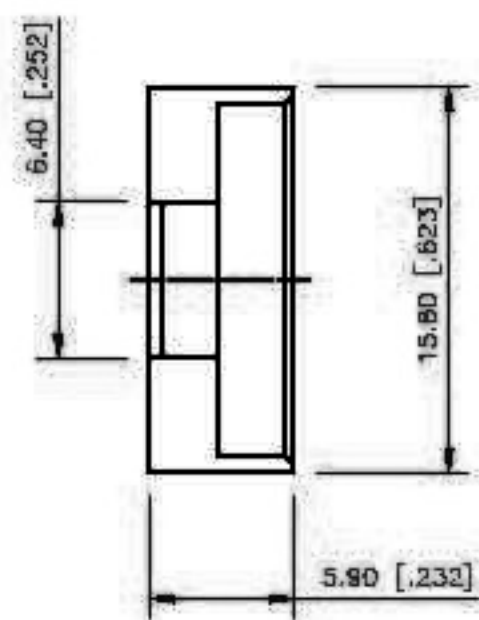


EDITION	DESCRIPTION	DRAWN	DATE
NO	INITIAL RELEASE		01/16/00
A	UPDATE DRAWING FORMAT		12/04/00



RECOMMENDED  
CABLE STRIPPING DIM'S



**ChoiceRight Electronic Inc**

DATE: 12/04/00  
 DESIGNED: J. Lin  
 DRAWN: Eddie

FILE NO: TMS002010T10000-1

REV: A

**TOLERANCES**  
 UNLESS OTHERWISE SPECIFIED  
 DIMENSIONS ARE IN MILLIMETER

FRAMES	±.015
HOLES	±.015
PLACES	±.015
ALL OTHERS	±.025

NO	Description	Qty	Material	Finish
7	CONTACT PIN	1	BRASS	GOLD
8	NUT	1	BRASS	NICKEL
9	WASHER	1	BRASS	NICKEL
4	GASKET	1	SILICONE	RED
3	BRAID CLAMP	1	BRASS	NICKEL
2	INSULATOR	1	PBT	NATURAL
1	BODY	1	BRASS	NICKEL