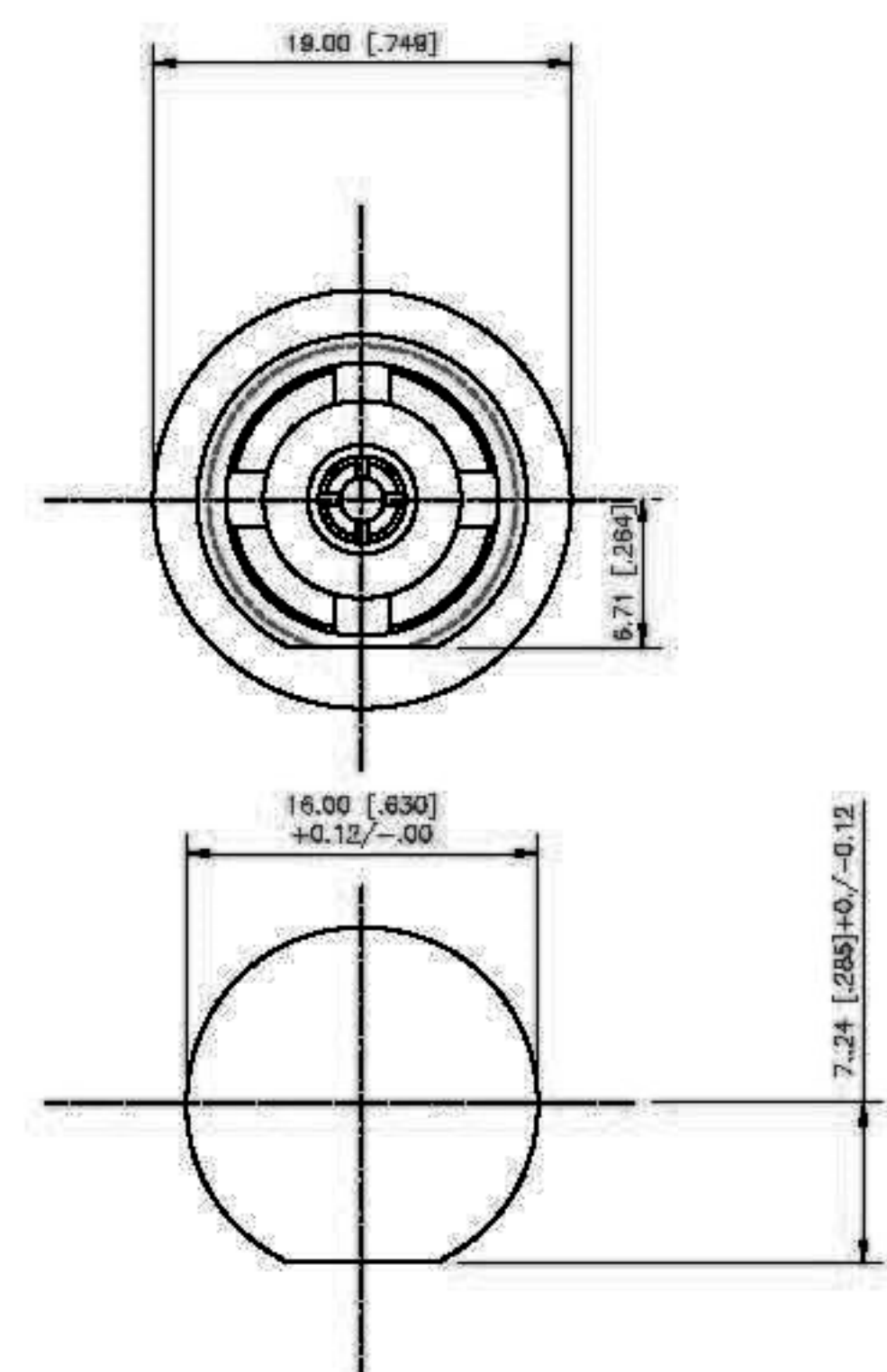
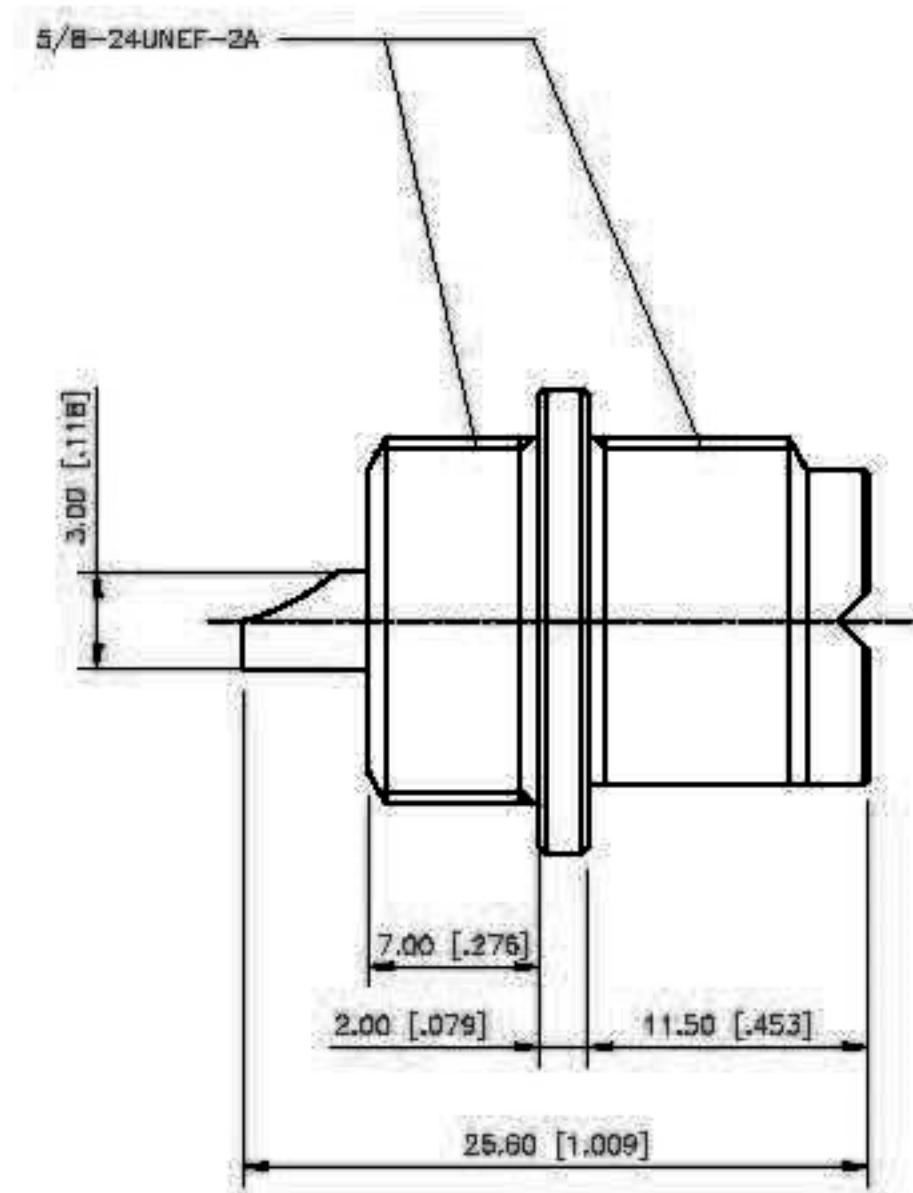
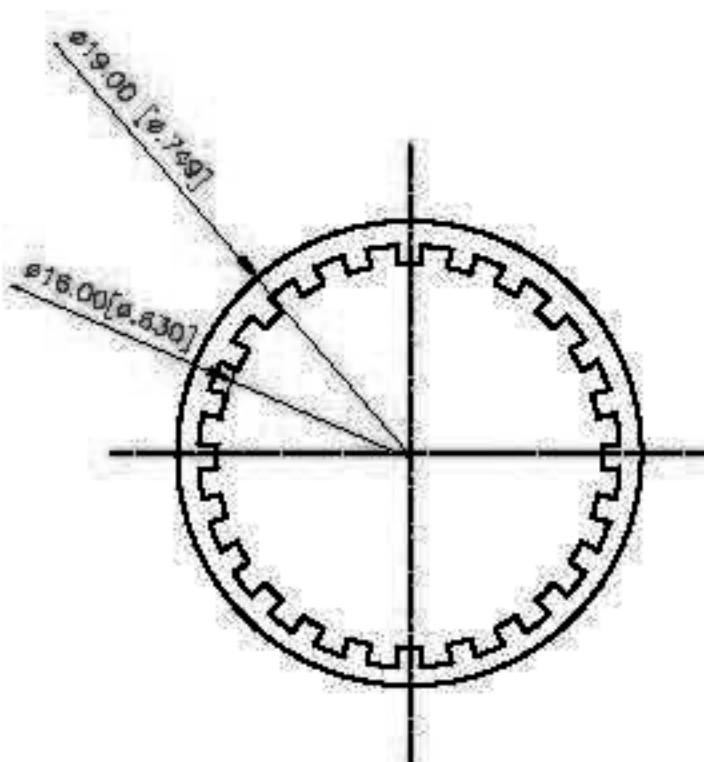
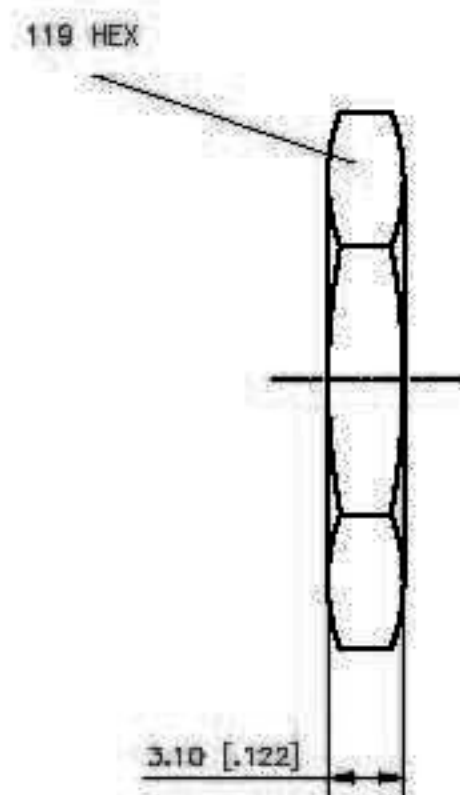


EDITION	DESCRIPTION	DRAWN	DATE
A	UPDATE DRAWING FORMAT / ADD FLAT		09/18/09



NOTE:
1. PIN TO WITHSTAND 4 INCH - OUNCE RADIAL FORCE

RECOMMENDED
MOUNTING HOLE

ChoiceRight Electronic Inc

UNEMPLOYED AND IN RECEIPT OF UNEMPLOYMENT BENEFITS

DESIGNED BY: J. Lin
DRAWN BY: Eddie

DATE: 09/18/09

FILE NO: UHFFSD18025000-1

SCALE: NA UNIT: MM

TOLERANCES
UNLESS OTHERWISE SPECIFIED IN MILLIMETER

DECIMAL FRACTIONS: .005, .01, .02, .03, .04, .05, .06, .07, .08, .09, .1, .15, .2, .3, .4, .5, .6, .7, .8, .9, 1.0, 1.5, 2.0, 3.0, 4.0, 5.0, 6.0, 8.0, 10.0
FRACTIONS: 1/16, 1/8, 1/4, 1/2, 3/4, 1, 1 1/2, 2, 3, 4, 5, 6, 8, 10, 12, 15, 20, 25, 30, 40, 50, 60, 80, 100

NO	Description	Qty	Material	Finish
8				
7				
6				
5	HEX NUT	1	BRASS	NICKEL
4	LOCK WASHER	1	BRASS	NICKEL
3	CONTACT PIN	1	BRASS	NICKEL
2	INSULATOR	1	TEFLON	NATURAL
1	BODY	1	BRASS	NICKEL