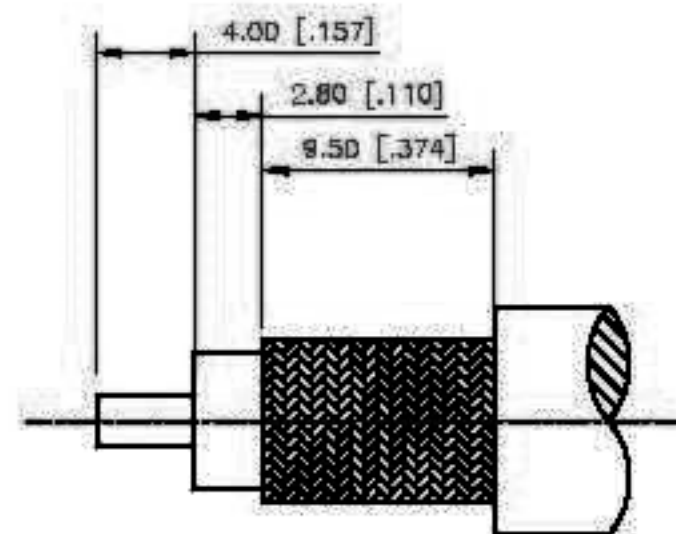
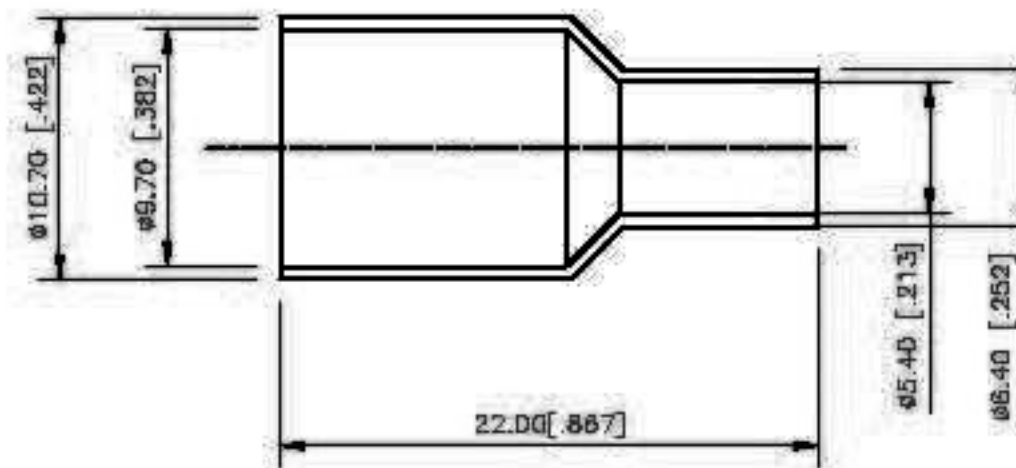
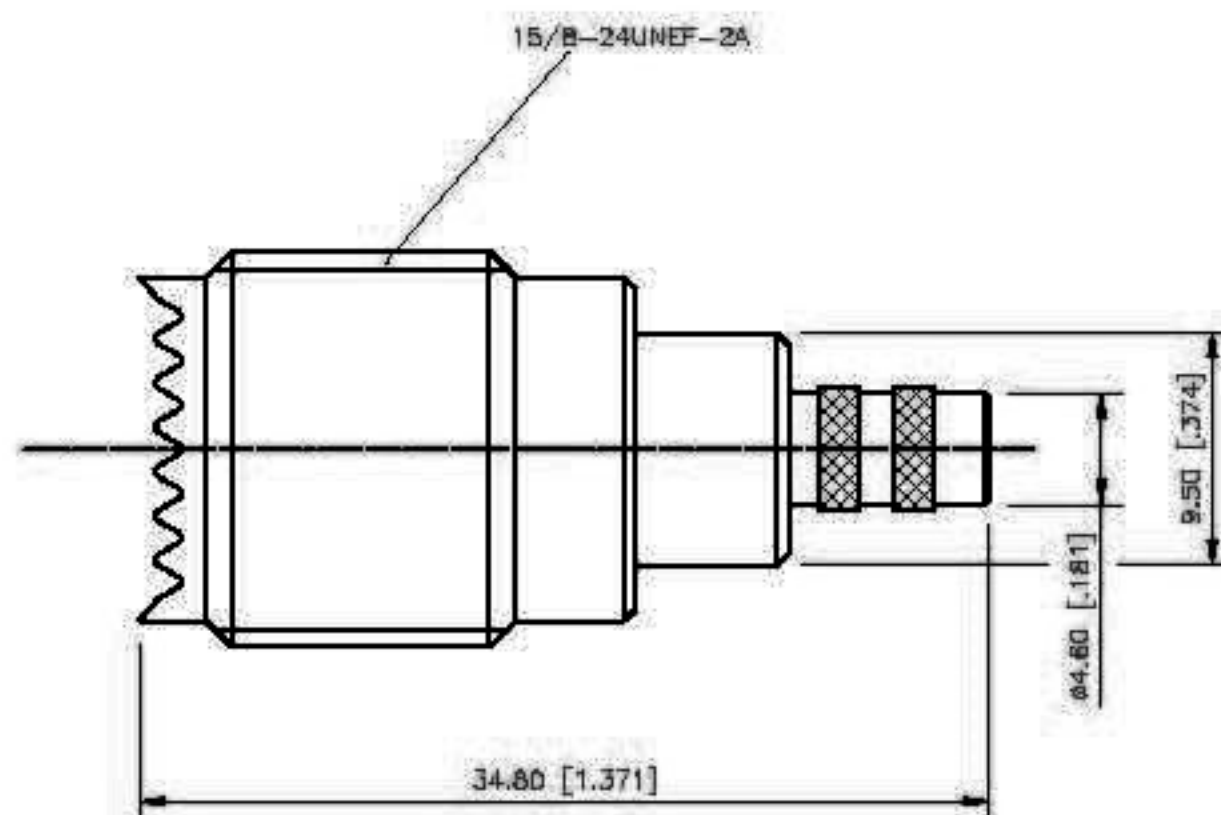


EDITION	DESCRIPTION	DRAWN	DATE
A	UPDATE DRAWING FORMAT		11/22/04



RECOMMENDED  
CABLE STRIPPING DIM'S



- NOTES:  
 1. CRIMP FERRULE HEX CRIMP SIZE .213"  
 2. CONTACT PIN TO SOLDER

**ChoiceRight Electronic Inc**

TITLE: OF SUP NO  
(FOR REVISED, ETC)  
 FILE NO: UHFFS00103F5000-1

DESIGNED: J. Lin  
 DRAWN: Eddie

TOLERANCES  
 UNLESS OTHERWISE SPECIFIED  
 DIMENSIONS ARE IN MILLIMETER

REV: A DATE: 11/22/04 SCALE: NA UNIT: MM

NO	Description	Qty	Material	Finish
4	FERRULE	1	COPPER	NICKEL
3	CONTACT PIN	1	BRASS	GOLD
2	INSULATOR	1	DELPHI	NATURAL
1	BODY	1	BRASS	NICKEL