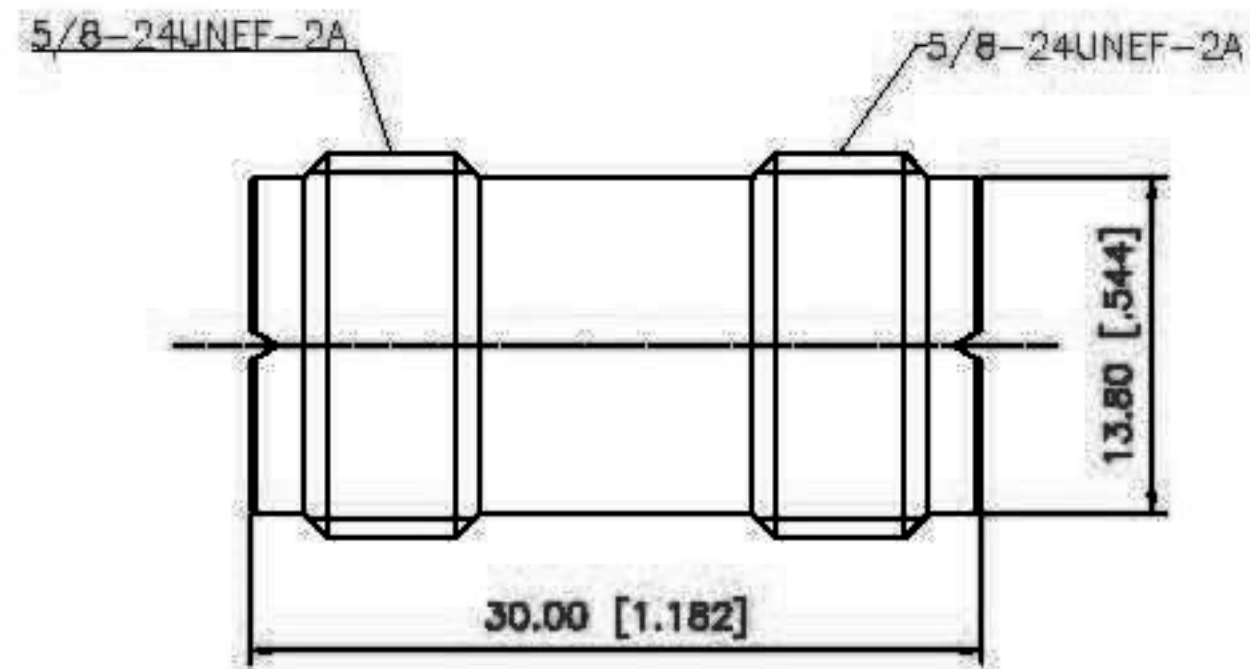


EDITION	DESCRIPTION	DRAWN	DATE
	UPDATE DRAWING FORMAT		01/30/04



TOLERANCES	
DIMENSIONS ARE IN MILLIMETER	
UNLESS OTHERWISE SPECIFIED TOLERANCES FOR INCHES ARE 0.5-8mm±0.20mm 8-30mm±0.40mm 30-120mm±0.50mm UNLESS OTHERWISE SPECIFIED TOLERANCES FOR INCHES ARE .020-.315=±0.007" .315-1.180=±0.015" 1.180-4.724=0.020"	

TITLE UHF JACK TO JACK ADAPTER

CHECKED J. Lin

Edit Code. UHFFSUHFFADP5000-1

DRAWER Eddie

FILE NO. C:

EDITION: A DATE 01/30/04

SCALE NA UNIT MM

NO	Description	Q'ty	Material	Finish
3	CONTACT PIN	1	BRASS	GOLD
2	INSULATOR	1	TEFLON	NATURAL
1	BODY	1	BRASS	NICKLEL