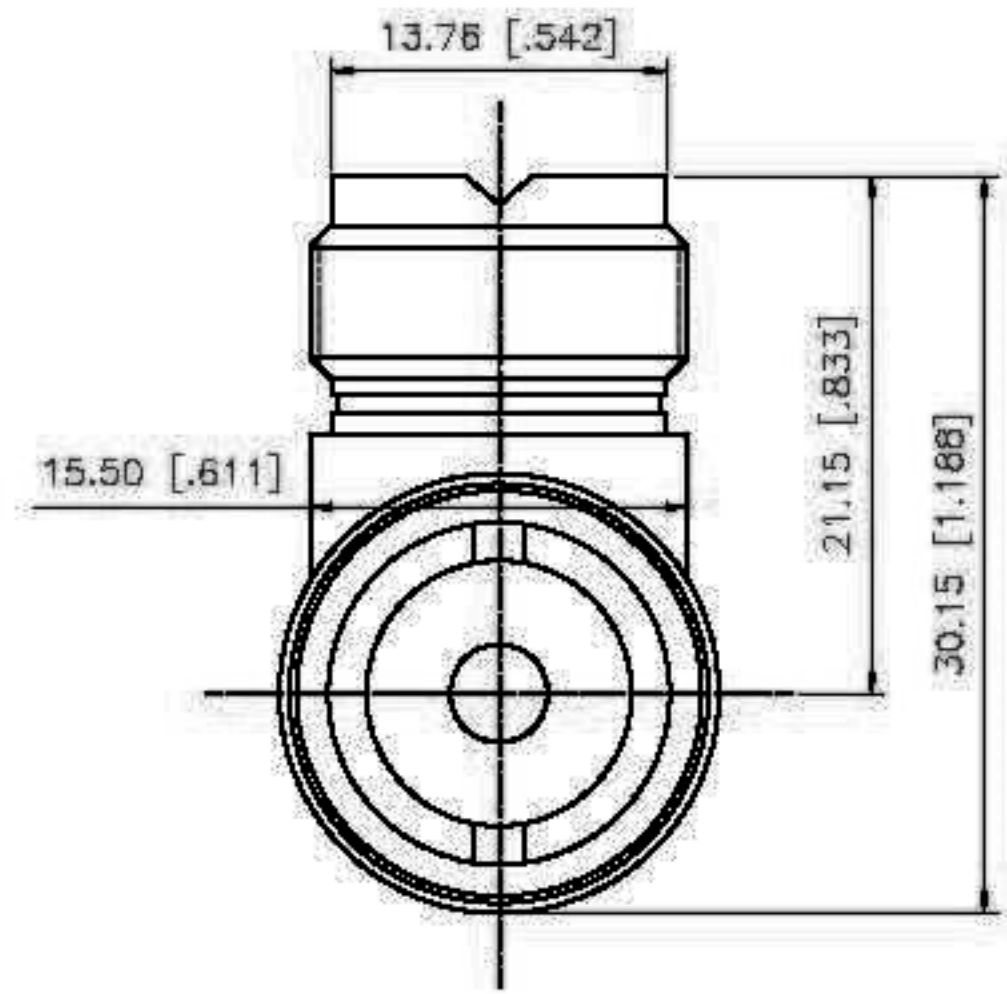
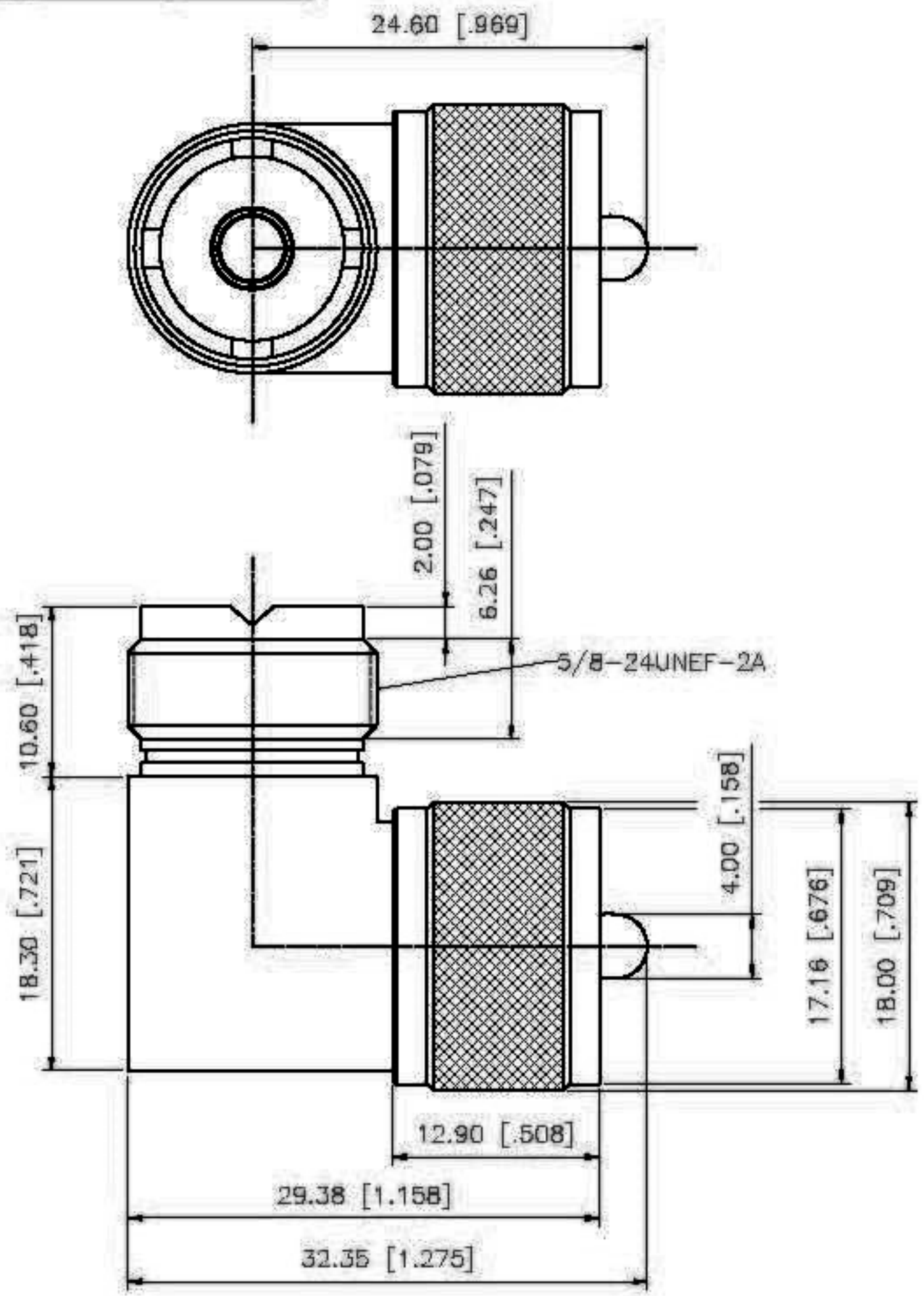


EDITION	DESCRIPTION	DRAWN	DATE
	INITIAL RELEASE		02/05/08



**TOLERANCES**  
**DIMENSIONS ARE IN MILLIMETER**

UNLESS OTHERWISE SPECIFIED  
TOLERANCES FOR INCHES ARE  
0.5-8mm±0.20mm  
8-30mm±0.40mm  
30-120mm±0.50mm  
UNLESS OTHERWISE SPECIFIED  
TOLERANCES FOR INCHES ARE  
.020-.315=±0.007"  
.315-1.180=±0.015"  
1.180-4.724=0.020"

TITLE	UHF ANGLE ADAPTER JACK-PLUG	CHECKED	J. Lin
Edt Code.	UHFMRUHFFADP5000-1	DRAWER	Eddie
FILE NO. C:	EDITION: A	DATE 02/05/08	SCALE NA UNIT MM

NO	Description	Qty	Material	Finish
3	CONTACT PIN	1	BRASS	GOLD
2	INSULATOR	1	PTFE	NATURAL
1	BODY	1	BRASS	NICKEL