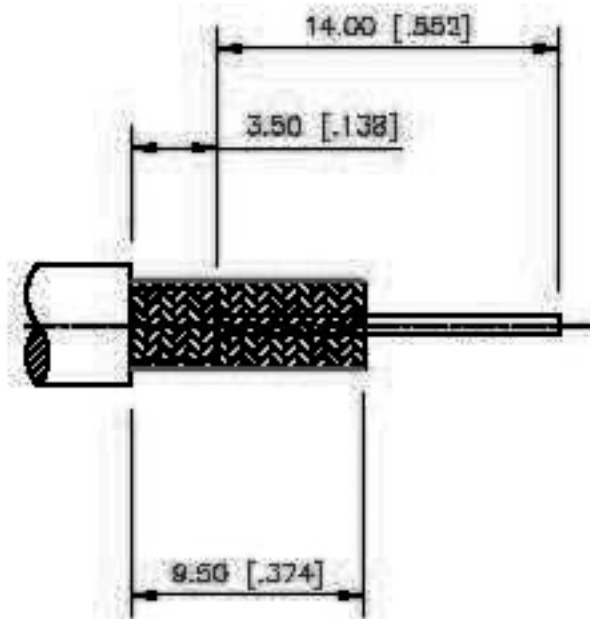
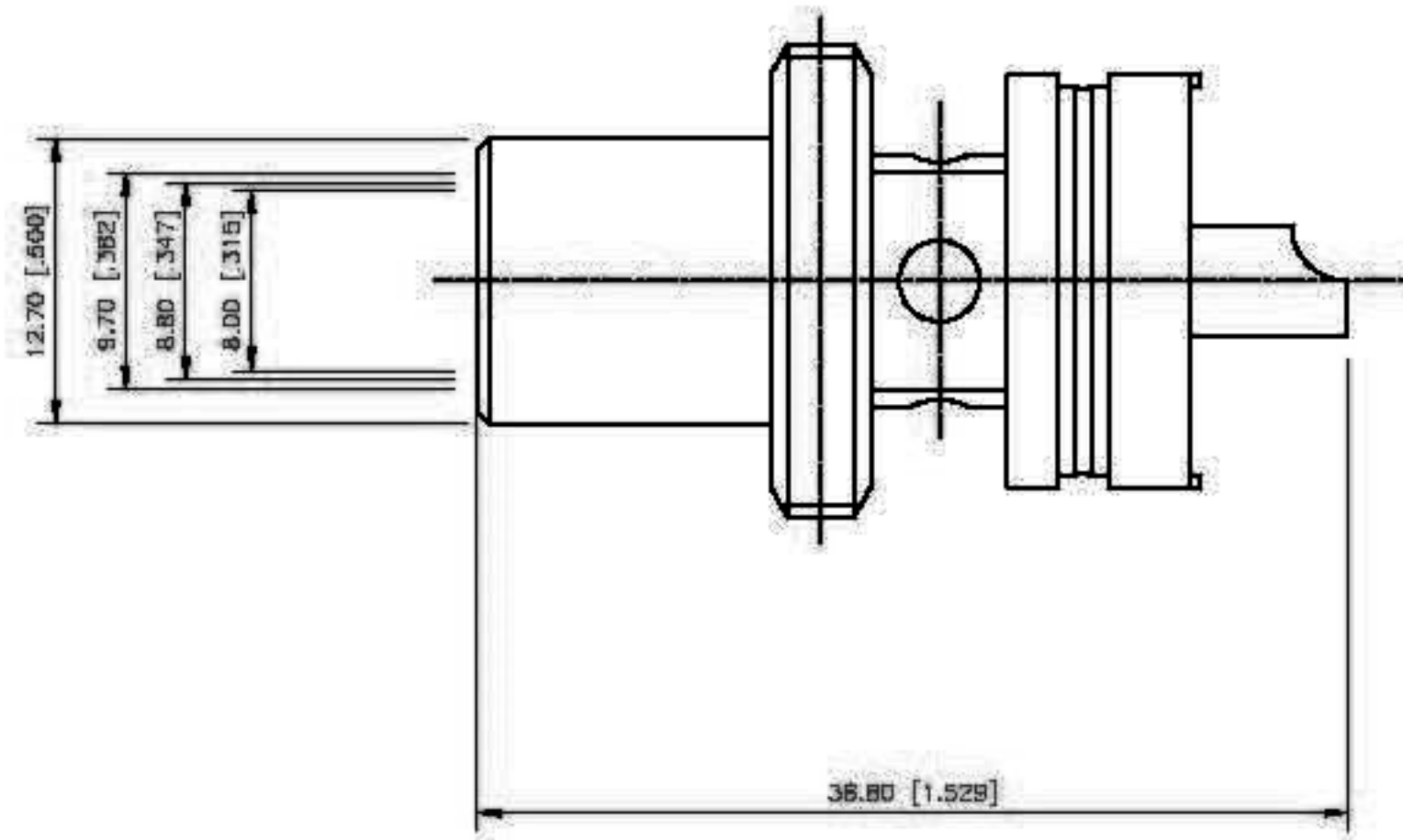
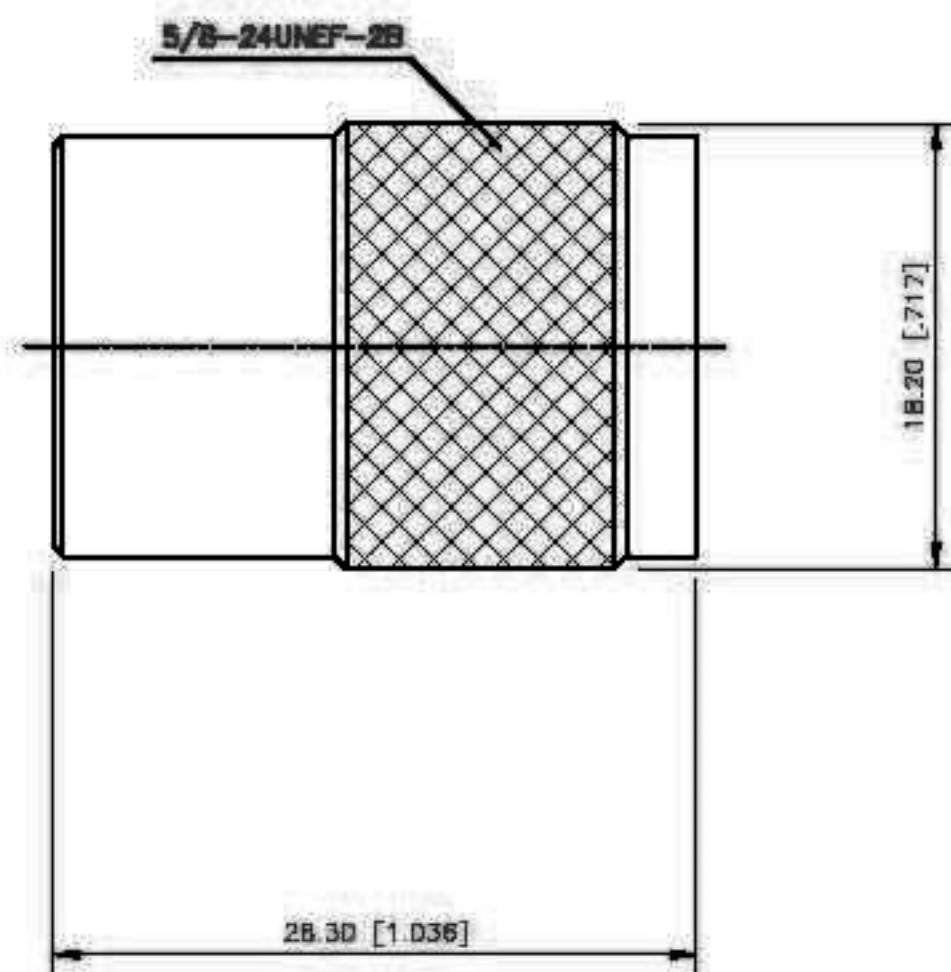


EDITION	DESCRIPTION	DRAWN	DATE
NO	INITIAL RELEASE		02/17/00
A	UPDATE DRAWING FORMAT		01/04/00
B	SEPERATE BODY AND SHELL		06/24/00



RECOMMENDED
CABLE STRIPPING DIM'S



ChoiceRight Electronic Inc

FILE NO: **UHFMS0230285000-3**

DESIGNED BY: **J. Lin**
DRAWN BY: **Eddie**

TOLERANCES
UNLESS OTHERWISE SPECIFIED

FRONT PANEL
MOUNTING HOLES
MOUNTING HOLES
MOUNTING HOLES
MOUNTING HOLES

DATE: 06/24/00

NO	Description	Qty	Material	Finish
4	CONTACT PIN	1	BRASS	SILVER
3	INSULATOR	1	P.T.F.E	NATURAL
2	BODY	1	BRASS	SILVER
1	SHELL	1	BRASS	SILVER