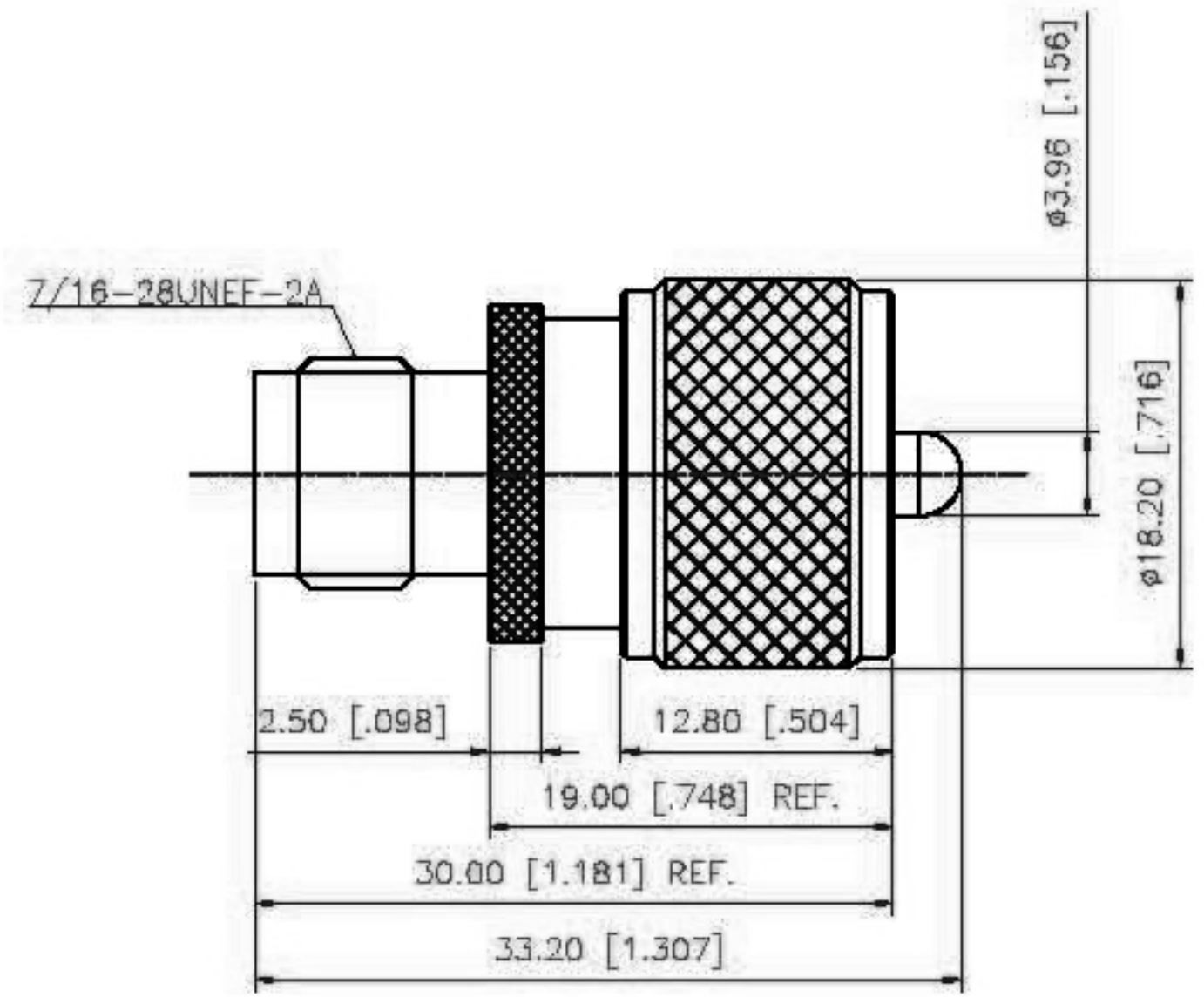


EDITION	DESCRIPTION	DRAWN	DATE



- NOTES:
1. IMPEDANCE: 50 OHM
  2. FREQUENCY RANGE: 0-200 MHZ
  3. VSWR: 1.3 MAX
  4. DIELECTRIC WITHSTANDING VOLTAGE: 1000 VRMS, MIN.
  5. DURABILITY: 500 CYCLES MIN.
  6. TEMPERATURE RANGE: -55°C TO +85°C



TITLE UHF MALE TO TNC FEMALE ADAPTOR (50 OHM)		CHECKED J. Lin
Edit Code. UHF MSTNCFADP5000-1		DRAWER Eddie
FILE NO. C:	EDITION: A	DATE 07/12/13

TOLERANCES					
DIMENSIONS ARE IN MILLIMETER					
UNLESS OTHERWISE SPECIFIED TOLERANCES FOR MILLIMETERS ARE					
0.5-6mm ±0.05mm					
6-30mm ±0.20mm					
30-120mm ±0.30mm					
ANGLES ±1°					
UNLESS OTHERWISE SPECIFIED TOLERANCES FOR INCHES ARE					
<0.020 ±0.002"					
.020-.238 ±0.004"					
.238-1.180 ±0.007"					
1.180-4.724 ±0.020"					
ANGLES ±1°					
SCALE	NA	UNIT	MM		

NO	Description	Qty	Material	Finish
6	RETAINER RING	1	BRASS	NICKEL
5	SHELL	1	BRASS	NICKEL
4	CONTACT	1	BRASS	GOLD
3	CONTACT PIN	1	PHOSPHOR BRONZE	GOLD
2	INSULATOR	1	PTFE	NATURAL
1	BODY	1	BRASS	NICKEL